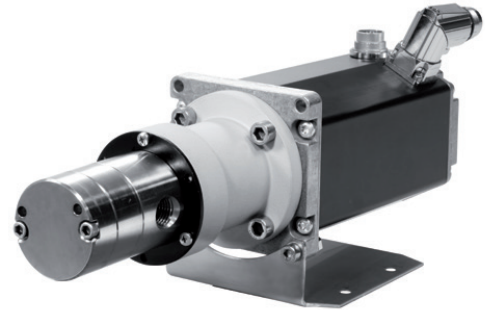


VERDERGEAR Gear pump VGS096, 24 V

Description

Verdergear Gear Pumps are perfectly suitable for demanding applications in fluid transfer for dangerous liquids or expensive chemicals. They produce a very constant pulsation free flow without leakage.

The magnetically driven gear pumps have no shaft seals and are 100% leak free. The pumps are perfect for dosing and metering applications and ensure a repeatable and accurate flow. This execution is equipped with a brushless 24VDC motor with Integrated speed controller. Speed can be adjusted with an external control analog signal 0 – 10V. Because of its compact small design perfectly suitable for OEM applications



Advantages

- Ultra compact design for OEM applications
- Pulsation free flow
- Highly reliable
- High dosing accuracy
- Corrosion-resistant materials
- Self-priming
- Very user-friendly
- The target speed can be set using a 0...+10 V analog voltage input
- Wide range of flow control

Application areas

- Cooling systems
- Chemical industry
- Institutes Research & Development
- Food industry
- Pulp & Paper industry
- Textile industry
- Environmental technology
- Pharmaceuticals
- Pesticides

Technical data

| | |
|----------------------------|---|
| Speed range | 3.300 Rpm |
| Flow range | 171 l/h |
| Max. differential pressure | 17 bar |
| Max. system pressure | 34 bar |
| Temperature range | -46 to +176 °C |
| Viscosity | 1 - 2.000 mPas* |
| Connections | 1/8 " NPT (optional 1/4 " NPT) |
| Noise level | < 70 dB (A) |
| Material o-ring | PTFE (optional Viton) |
| Material gears | PEEK (optional PPS) |
| Material casing | Stainless steel 316L (optional Hastelloy, Titan) |

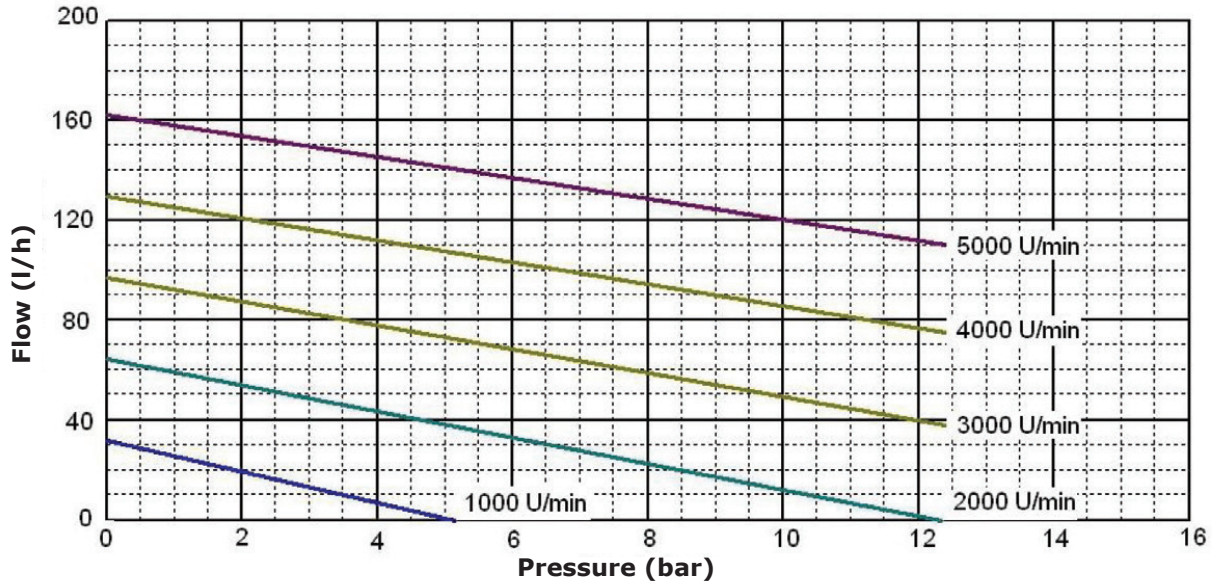
* higher viscosities are possible on request

Options

- PROFIBUS cut surface
- PROFINET cut surface
- CANopen cut surface
- EtherCAT cut surface

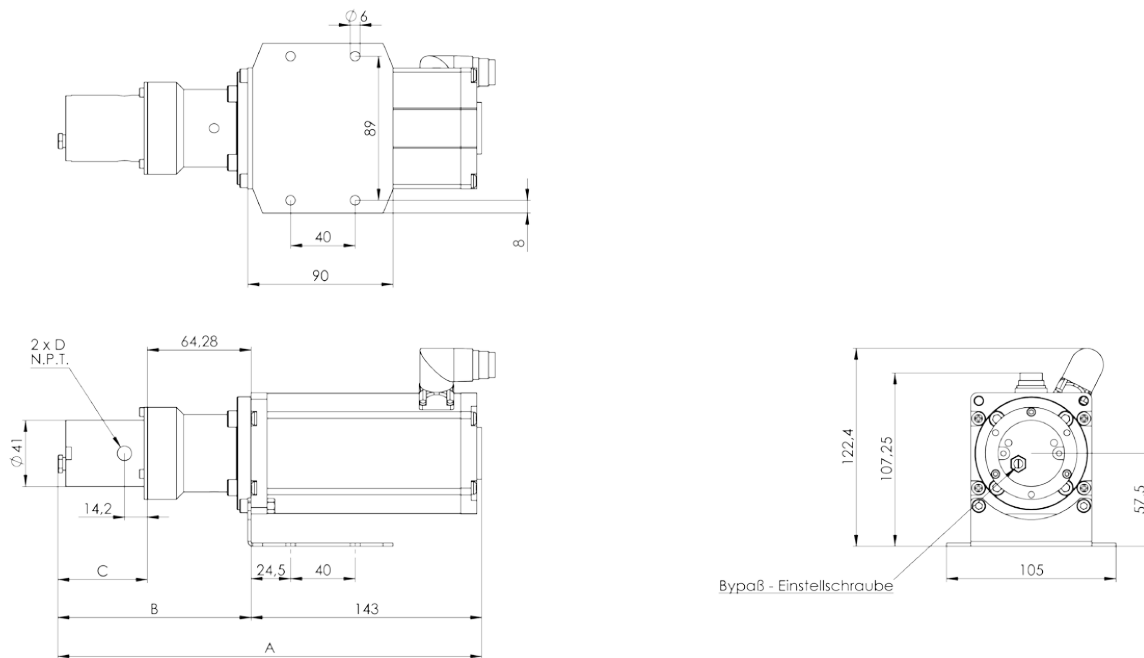
VERDERGEAR Gear pump VGS096, 24 V

Flow curve



Performance curve based on: medium water, temperature 20°C, viscosity 1 cP, bypass closed

Drawing



| Modell | A | B | C | D |
|--------|-----------|-----------|---------|-------|
| VGS096 | 266,18 mm | 123,18 mm | 58,9 mm | 1/8 " |