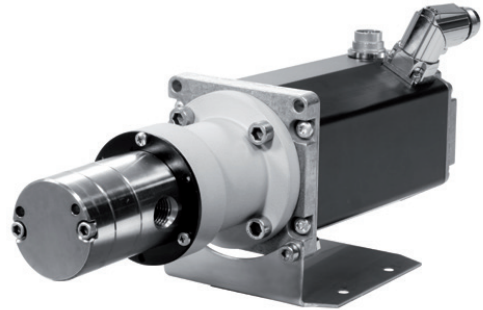


# VERDERGEAR Gear pump VGS004, 24 V

## Description

Verdergear Gear Pumps are perfectly suitable for demanding applications in fluid transfer for dangerous liquids or expensive chemicals. They produce a very constant pulsation free flow without leakage. The magnetically driven gear pumps have no shaft seals and are 100% leak free. The pumps are perfect for dosing and metering applications and ensure a repeatable and accurate flow. This execution is equipped with a brushless 24VDC motor with Integrated speed controller. Speed can be adjusted with an external control analog signal 0 – 10V. Because of its compact small design perfectly suitable for OEM applications.



## Advantages

- Ultra compact design for OEM applications
- Pulsation free flow
- Highly reliable
- High dosing accuracy
- Corrosion-resistant materials
- Self-priming
- Very user-friendly
- The target speed can be set using a 0...+10 V analog voltage input
- Wide range of flow control

## Application areas

- Cooling systems
- Chemical industry
- Institutes Research & Development
- Food industry
- Pulp & Paper industry
- Textile industry
- Environmental technology
- Pesticides
- Pharmaceuticals

## Technical data

Speed range	4.000 Rpm
Flow range	4,4 l/h
Max. differential pressure	16 bar
Max. system pressure	21 bar
Temperature range	-46 to +122 °C
Viscosity	0,2 - 1500 mPas*
Connections	1/8 " NPT
Noise level	< 70 dB (A)
Material o-ring	PTFE
Material gears	Graphit
Material casing	Stainless steel 316L

\* higher viscosities are possible on request

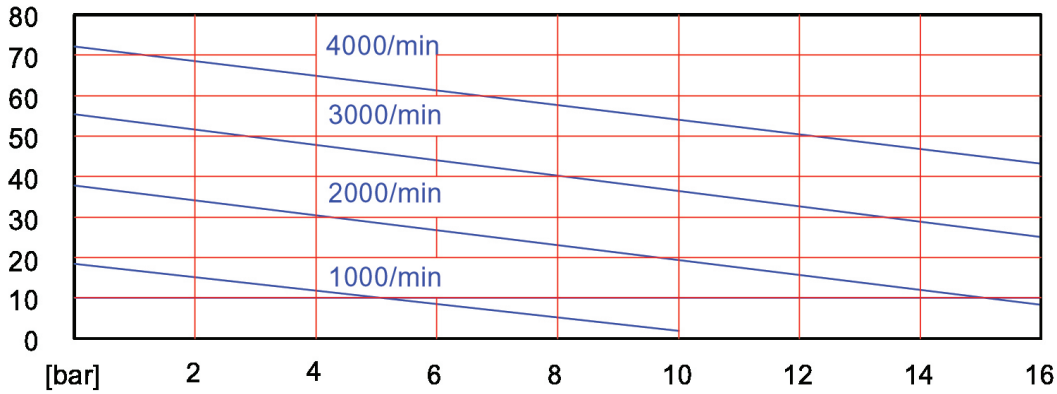
## Options

- PROFIBUS cut surface
- PROFINET cut surface
- CANopen cut surface
- EtherCAT cut surface

# VERDERGEAR Gear pump VGS004, 24 V

## Flow curve

[ml/min]



## Drawing

