

Verderflex

Vantage 5000

Description

The new Verderflex Vantage 5000 cased drive peristaltic pump accurately doses liquids at pressures exceeding 7 Bar for industries ranging from the aseptic, pharmaceutical environment to the harsh requirements of water treatment and mining.



Your benefits

- Advanced touch screen controls
- Intuitive, easy to follow menus
- Large diameter rotor
- Maximum flow rate 6600 ml/min, 396 l/h
- Precision stepper motor dosing 4096:1 speed control ratio
- USB interface for pump back-up and job transfer
- Many remote controls options: analogue, digital & BUS control versions

Technical specifications

| | |
|-------------------------|--|
| Max. flow rate | 6600 ml/min, 396 l/h |
| Maximum Pump Speed | 400 rpm |
| Max. discharge pressure | >7 bar |
| Speed Control Ratio | 4096:1 |
| Temperature | 5°C - 40°C |
| Ingress Rating | IP66 / NEMA 4X (washdown) |
| Power Supply | 85-265V 50/60Hz AC single phase with fuseless reset switch |
| Humidity | (condensing) 10-100% RH |
| Torque Rating | 2.2Nm, continuous duty |
| Noise | <70dB (A) at 1m |
| Weight | 12 kg |

Materials

| | |
|--------------------------|--|
| Casing | Gravity die-cast LM6 Aluminium, Achromed and powder coated |
| Continuous Tubing Clamps | Glass Filled Nylon |
| Display | High definition 110mm (4.33") TFT touch screen |
| Drive shaft | 304 Stainless steel with thermoplastic polyurethane (TPU) sleeve |
| Pump Head | PPS (polyphenylene sulphide) Rotor Body & Arms 304 Stainless Steel Main rollers with 440C Stainless Steel Bearings Nylon guide rollers. Bearing Strut : Bulk Moulding Compound (BMC) - glass fibre re-enforced thermoset polyester |
| Pump Head Door | Polycarbonate |
| Pump Head Enclosure | Bulk Moulding Compound (BMC) - glass fibre re-enforced thermoset polyester |
| Screen Guard | Impact Resistant Polycarbonate |
| Screen Enclosure | Bulk Moulding Compound (BMC) - glass fibre re-enforced thermoset polyester |
| Tube Element Connectors | PVDF |



Technical specifications

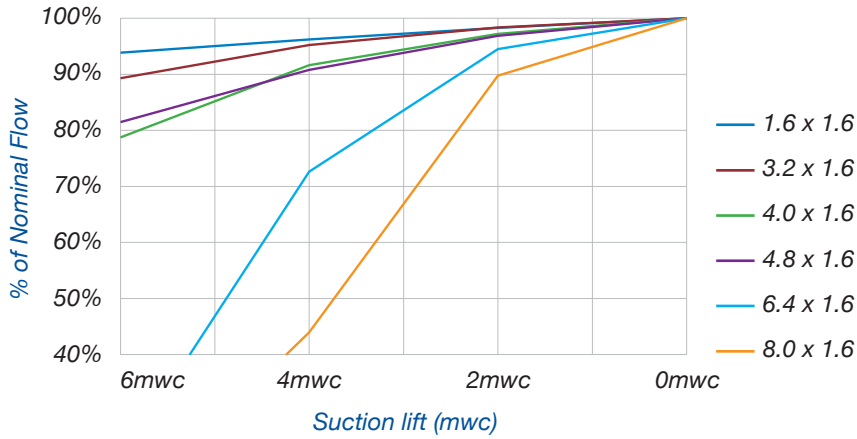
| Pump Model | Control | Remote | SCADA | Wi-Fi | Modbus® | Profibus® |
|--|---------|--------|-------|-------|---------|-----------|
| Touchscreen display | ✓ | ✓ | ✓ | ✓ | ✓ | ✓ |
| Variable flow | ✓ | ✓ | ✓ | ✓ | ✓ | ✓ |
| Dose mode | ✓ | ✓ | ✓ | ✓ | ✓ | ✓ |
| Batch mode | ✓ | ✓ | ✓ | ✓ | ✓ | ✓ |
| Timer control mode | ✓ | ✓ | ✓ | ✓ | ✓ | ✓ |
| Start delay | ✓ | ✓ | ✓ | ✓ | ✓ | ✓ |
| Auto re-start option | ✓ | ✓ | ✓ | ✓ | ✓ | ✓ |
| Variable ramp up/down | ✓ | ✓ | ✓ | ✓ | ✓ | ✓ |
| Anti-drip | ✓ | ✓ | ✓ | ✓ | ✓ | ✓ |
| Full calibration with choice of flow units | ✓ | ✓ | ✓ | ✓ | ✓ | ✓ |
| USB file backup | ✓ | ✓ | ✓ | ✓ | ✓ | ✓ |
| Process specific screen display | ✓ | ✓ | ✓ | ✓ | ✓ | ✓ |
| Tube burst detector | ✓ | ✓ | ✓ | ✓ | ✓ | ✓ |
| Three level password protection | ✓ | ✓ | ✓ | ✓ | ✓ | ✓ |

| Analogue Remote Control | Control | Remote | SCADA | Wi-Fi | Modbus® | Profibus® |
|---|---------|--------|----------|-------|---------|-----------|
| Stop/start | | ✓ | ✓ | ✓ | ✓ | ✓ |
| Product source alarm | | ✓ | ✓ | ✓ | ✓ | ✓ |
| Destination full alarm | | ✓ | ✓ | ✓ | ✓ | ✓ |
| Direction control | | ✓ | ✓ | ✓ | ✓ | ✓ |
| 0-10V, 4-20mA (in/out) | | ✓ | ✓ | ✓ | ✓ | ✓ |
| Tacho frequency output | | ✓ | ✓ | ✓ | ✓ | ✓ |
| Master/Slave mode | | ✓ | ✓ | ✓ | ✓ | ✓ |
| 24V DC Volt Free Contacts 4 Inputs, 4 Outputs | | | SCADA LV | | | |
| 115V AC Volt Free Contacts 4 Inputs, 4 Outputs | | | SCADA HV | | | |

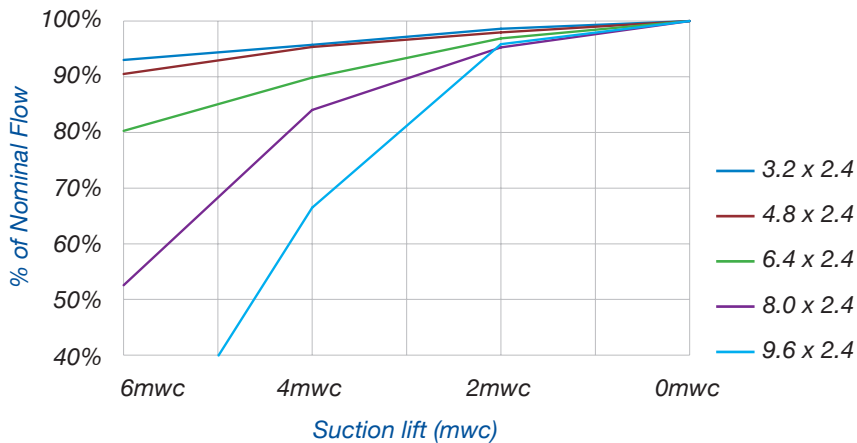
| Digital Remote Control | Control | Remote | SCADA | Wi-Fi | Modbus® | Profibus® |
|------------------------|---------|--------|-------|-------|---------|-----------|
| IEEE 802-11 Wi Fi | | | | ✓ | | |
| Modbus® | | | | | ✓ | |
| Profibus® | | | | | | ✓ |
| RS 485 | | | | | ✓ | |



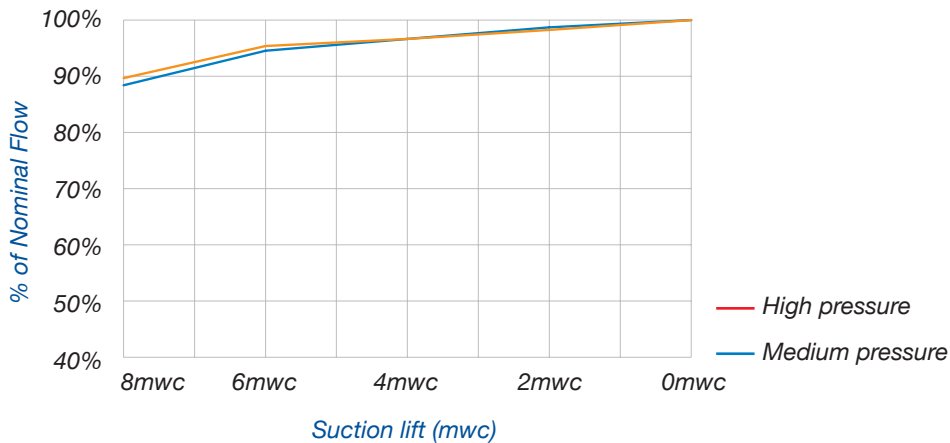
Suction Performance curve 1.6mm WT Verderprene



Suction Performance curve 2.4mm WT Verderprene



Suction Performance curve 2.4mm WT Medium & High Pressure Verderprene



Verderflex

Vantage 5000

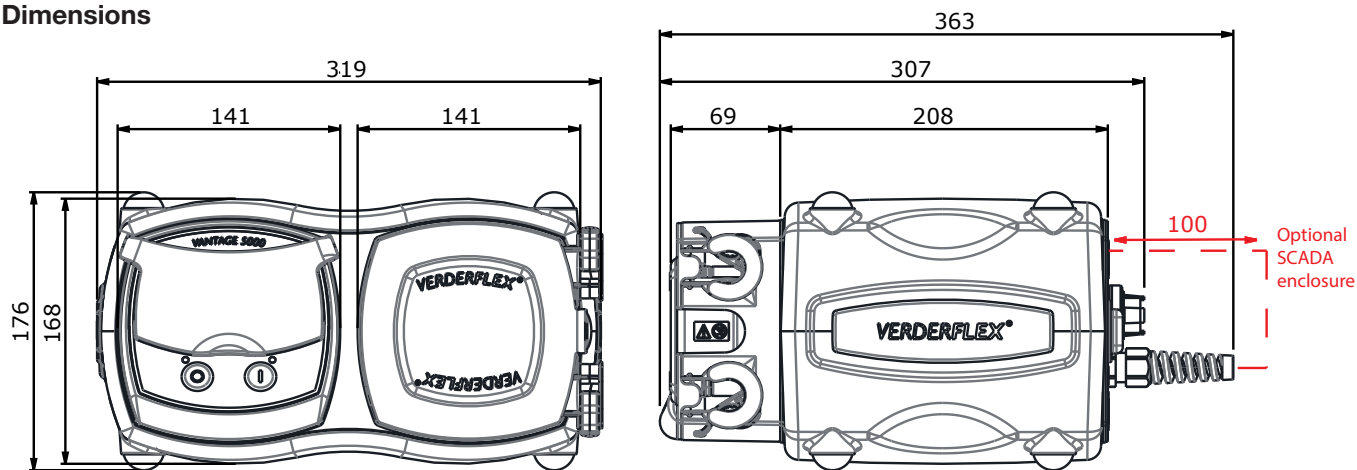
Typical Maximum Flow Rates (at 400 rpm)

| Verderprene 1.6 mm Wall Thickness Tubing | | | | | |
|--|--------|--------|--------|--------|--------|
| Tube ID (mm) | 1.6 mm | 3.2 mm | 4.8 mm | 6.4 mm | 8.0 mm |
| ml/min | 280 | 920 | 1840 | 3280 | 4600 |
| l/h | 17 | 55 | 110 | 196 | 276 |

| Verderprene 2.4 mm Wall Thickness Standard Tubing | | | | | | |
|---|--|--------|--------|--------|--------|--------|
| Tube ID (mm) | | 3.2 mm | 4.8 mm | 6.4 mm | 8.0 mm | 9.6 mm |
| ml/min | | 1056 | 2016 | 3440 | 5000 | 6600 |
| l/h | | 63 | 121 | 206 | 300 | 396 |

| Verderprene 2.4 mm Wall Thickness Medium & High Pressure Tubing | | |
|---|-----------------|---------------|
| | Medium Pressure | High Pressure |
| Tube ID (mm) | 3.2 mm | 3.2 mm |
| ml/min | 1040 | 920 |
| l/h | 62 | 55 |

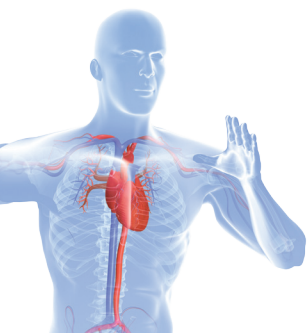
Dimensions



All dimensions are in mm.

All dimensions and weights are for guidance only.

083-VF-16_Techsheet_VANTAGE_5000_EU



Find your local supplier at www.verderflex.com

For construction installation and floor mounting drawings please contact your local authorised Verderflex® distributor.