



VERDERFLEX®

## VERDERFLEX PERISTALTIC PUMPS

### Smart S30 - 3 Roller

**Any questions?** You may still have questions and/or comments after reading this brochure. Please feel free to contact us on +44 (0)1924 221 020. You can also respond via email to [info@verderflex.com](mailto:info@verderflex.com). For more information about Verderflex please visit our website [www.verderflex.com](http://www.verderflex.com)



#### VERDERFLEX

Unit 3, California Drive, **TEL** +44 (0)1924 221 020  
Castleford WF10 5QH **FAX** +44 (0)113 222 0291  
United Kingdom **MAIL** [info@verderflex.com](mailto:info@verderflex.com)  
**WEB** [www.verderflex.com](http://www.verderflex.com)

**AT** Wien **BE** Aartselaar **BG** Sofia **CH** Basel **CN** Shanghai **CZ** Praha **DE**  
Haan **FR** Eragny s/Oise **GB** Castleford **HU** Budapest **IT** Torre Boldone  
**JP** Tokyo **NL** Groningen/Vleuten **PL** Katowice **RO** Bucuresti/Sibiu  
**RU** St Petersburg **SK** Bratislava **US** Newtown/Macon **ZA** Northriding

S303.EN.0411

**VERDER**  
passion for pumps

Verderflex Smart Tube Pumps | 1

# Smart 30 – 3 roller

## Physical Properties

Weight	22 kg (48.5lb)
Voltage	115V/230V
Frequency	50/60Hz
Power Consumption	330W

## Capacity

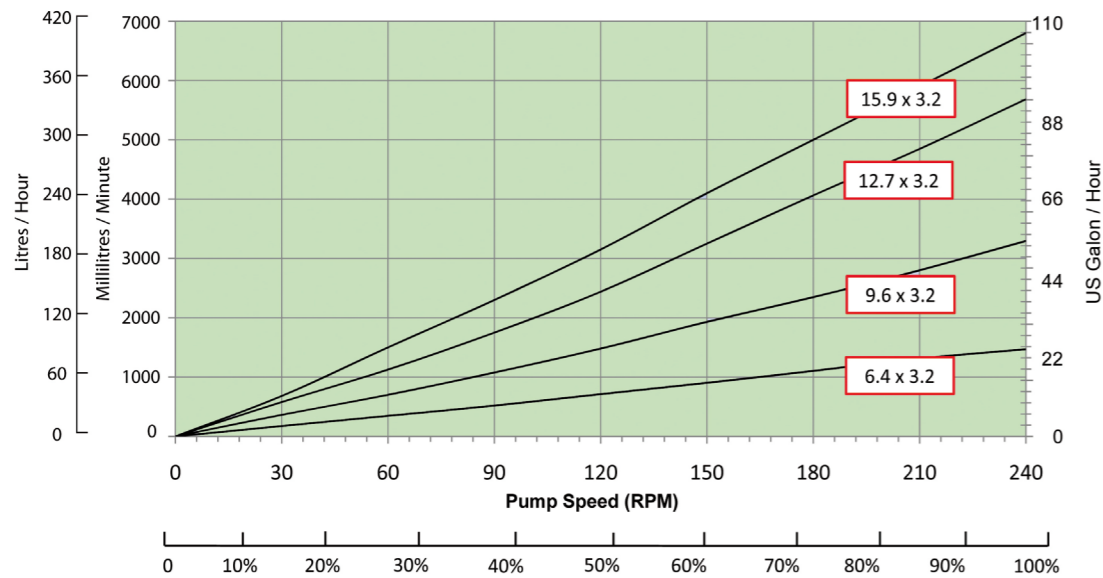
Tube ID x Wall (mm)	Min ml/min	US GPH	Max ml/min	US GPH
6.4 x 3.2	98	1.5	1,500	23.8
9.6 x 3.2	140	2.2	3,430	54.4
12.7 x 3.2	256	4.0	5,700	94.0
15.9 x 3.2	340	5.4	6,900	109.4

Measured with water at 20°C without suction or delivery pressure



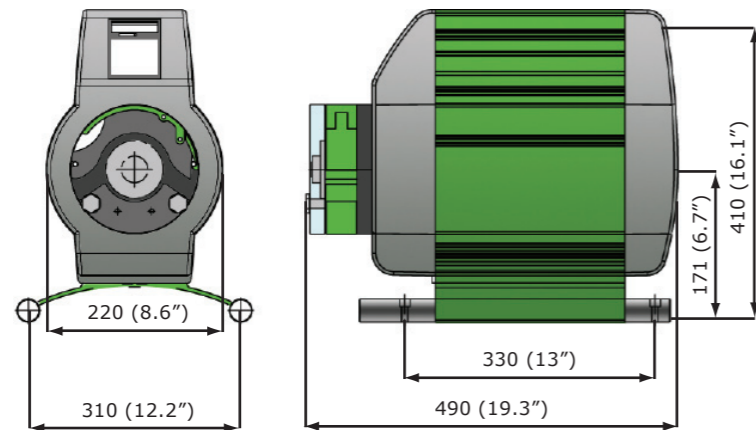
## Free Flow Curve

Flow rates with water at 20°C (68°F)



The S30 Pump Head is designed to use a 3.2mm (1/8") wall thickness tube

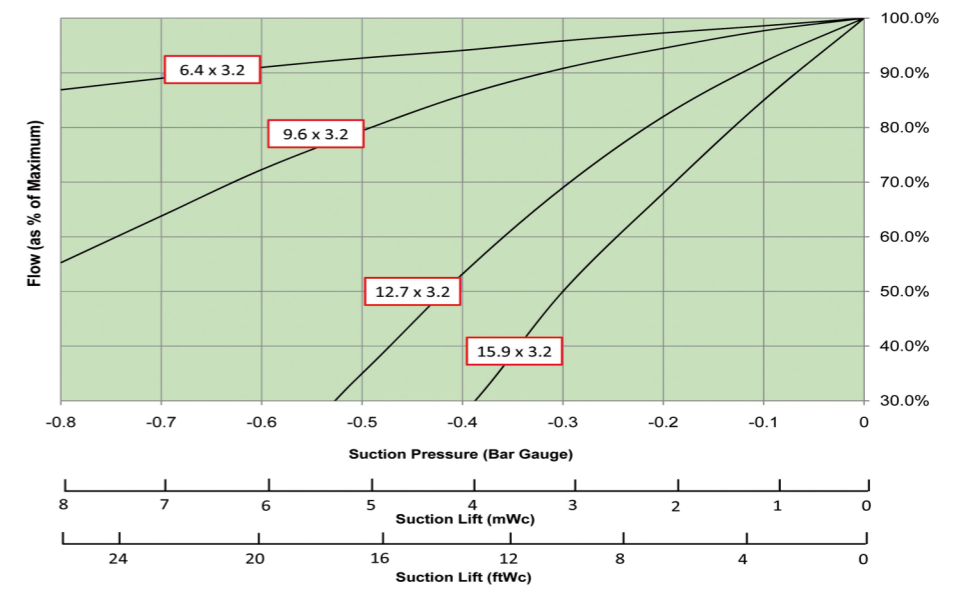
## General Arrangement Layout



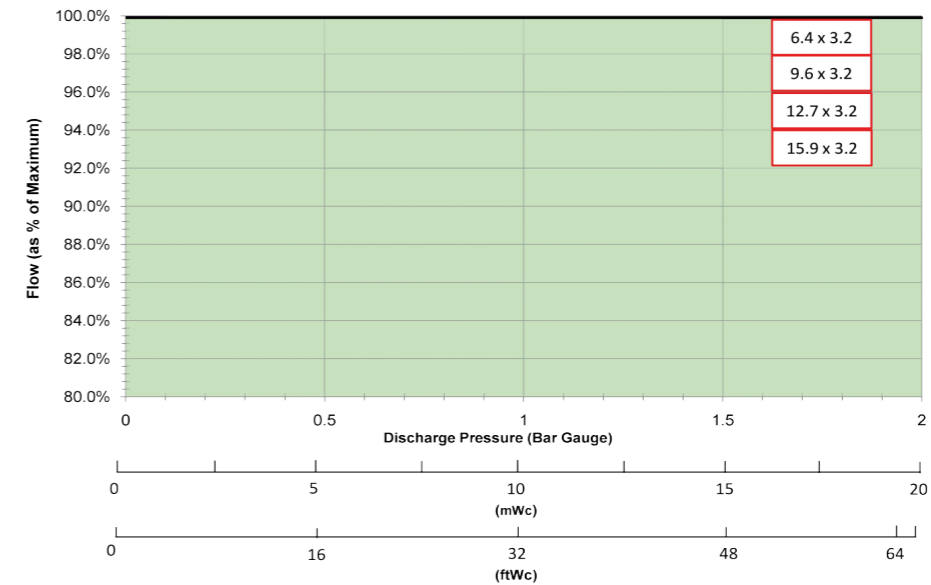
The drawings are for guidance only

The drawings are for guidance only - all dimensions in millimetres and inches

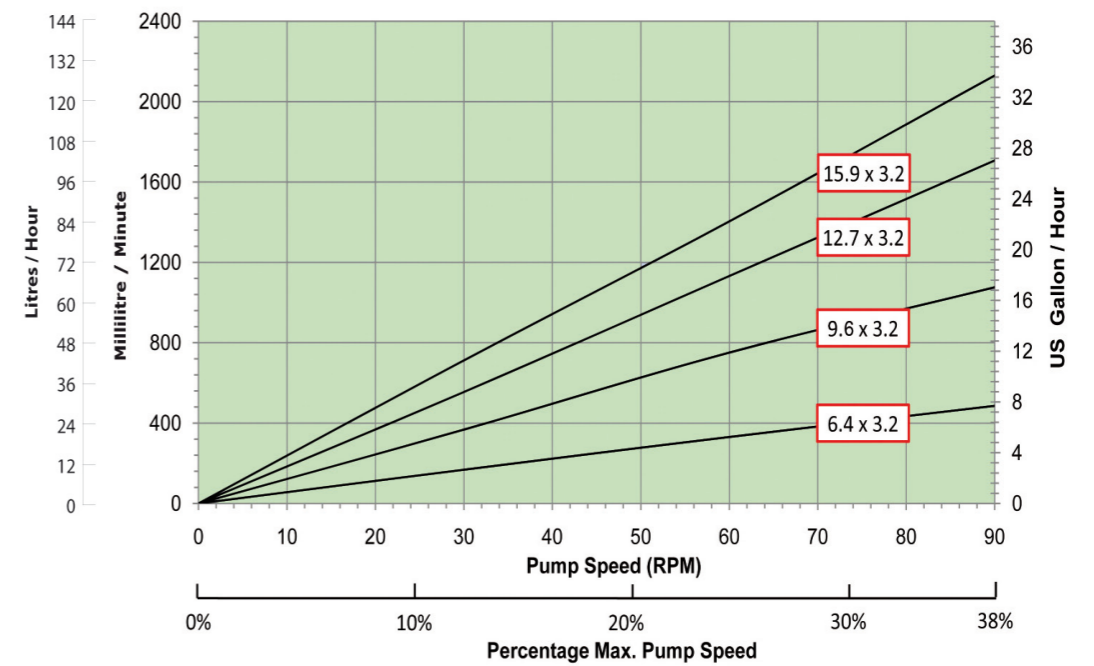
## Suction Loss



## Discharge



## Viscosity



Viscous liquid 350 cps at 22°C