



Description

The VA-C130 of the CONT-EX series is a very compact, air operated double diaphragm pump (AODD) produced out of 1 piece solid Conductive UHMW Polyethylene. The VA-C130 is used as general purpose pump for medium duty applications and as OEM pump. The pump is abrasive resistant and can be used in Atex environments.

Your benefits

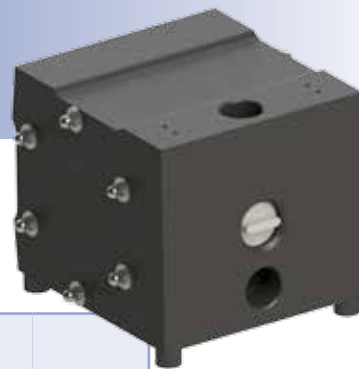
- Improved sealing design without extra support rings
- Abrasion resistant
- Robust (machined out of 1 solid piece, not injection moulded)
- Compact design (need less installation space)
- Can run dry without damage
- Dry self priming

Technical data			
Nominal port size			1 1/4" NPT(f)
Air inlet connection			R 1/4"
Weight (kg)			4,2
Max. operating pressure (Bar)			7
Max. Operating temperature (°C)			70
Max. size pumpable solids (mm)	Code N° 2	EP, TF	9
		CV	0
Max. suction lift dry (mWc)	Code N° 2	EP, TF	2,5
		CV	4,5
Max. suction lift wet (mWc)		all	9
Max. recommended viscosity (mPas)			5.000

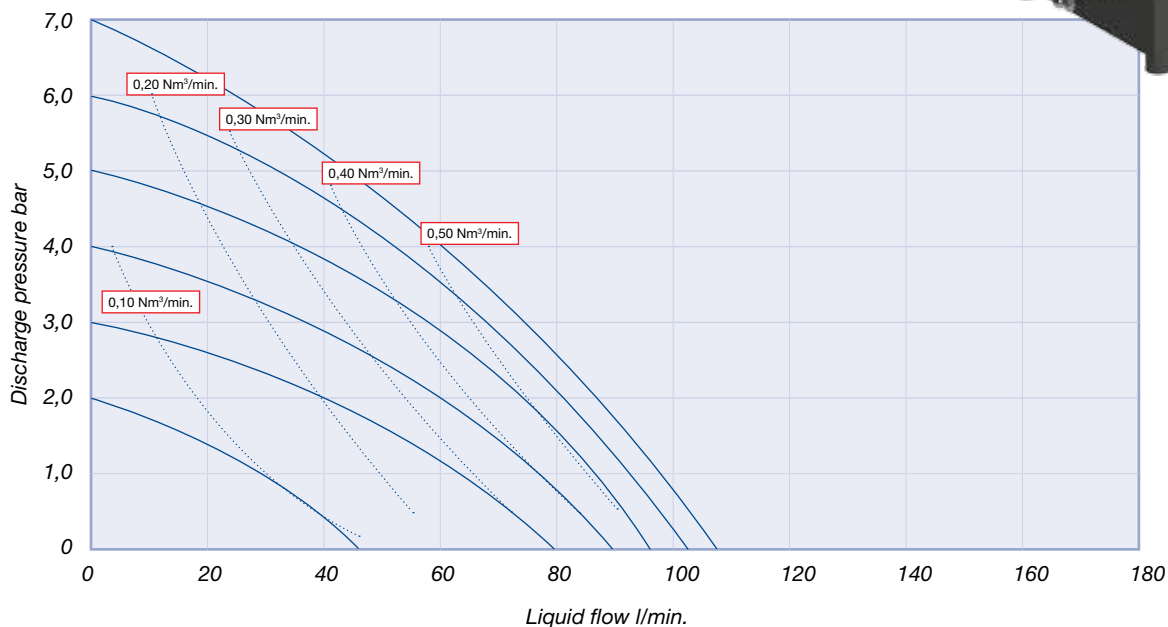
Code VA-C130 N°1 N°2 N°3		
No.1 Housing and center section ⚠ GG = Conductive Polyethylene UHMW	No.2 Valves EP = EPDM valve balls TF = PTFE Valve balls CV = PE Cylinder valves	No.3 Diaphragms EO = EPDM overmolded TO = PTFE/EPDM overmolded

EXAMPLE PUMP TYPE
CODE VA-C130 N°1 N°2 N°3

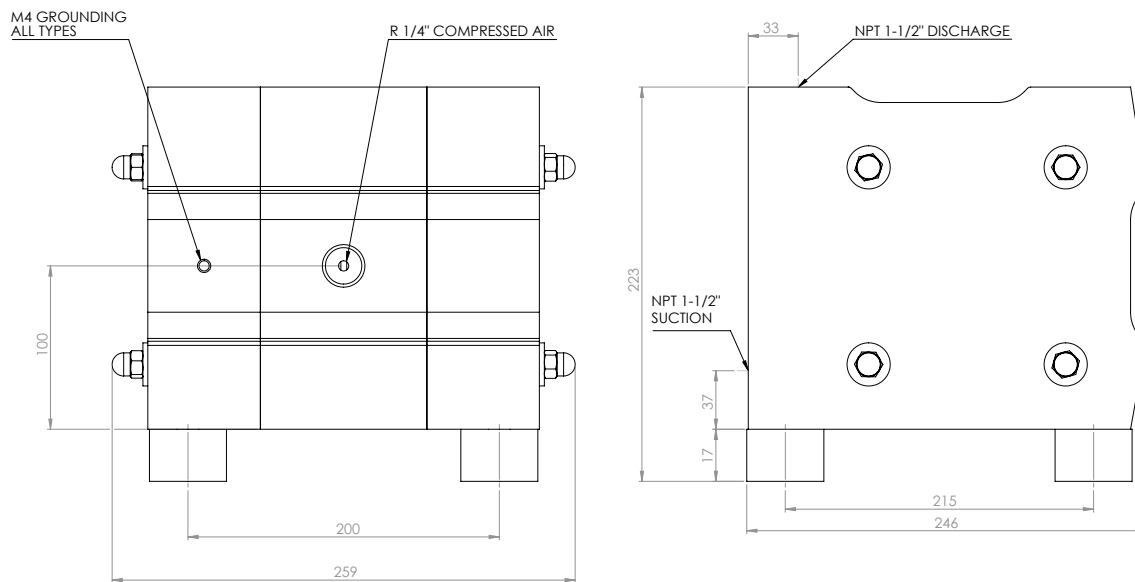
⚠ II 2 GD C T70°



Performance curve



Dimensions



All dimensions are in mm.
All dimensions are for guidance only.

Find your local supplier
at www.verderair.com

For construction, installation and floor mounting drawings
please contact your local authorised Verderair® distributor.

