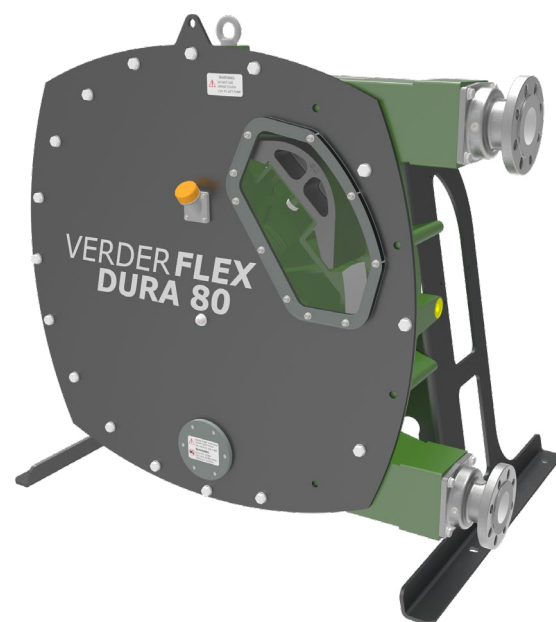


VERDERFLEX

Dura 80



Description

The Verderflex Dura 80 Hose Pump is designed for applications such as metering, dosing and transfer duties with a focus on sludges, slurries and abrasives.

Your benefits

- Class leading performance up to 42m³/hr and pressures of up to 16 bar.
- Minimised downtime and reduced cost of ownership.
- In-situe hose change/simplified spares holding requirement.
- Self-priming (capable of a suction lift of 9.5 mwc), dry running.
- Low shear design ideal for abrasive/ solid slurries.
- Seal less and valveless pumping operation with directly proportional flow stability and repeatability.

Technical data

Max. flow rate	42m ³ /hr	Max. temperature of medium	100 °C ¹⁾
Max. pump speed	60 RPM	Hose ID	80mm
Max. discharge pressure	16 bar	Bareshaft weight	580kg ²⁾
Max. suction lift	9.5 mWc	Max. incompressible solid size	8mm
Max. motor power	15 kW	Max. compressible solid size	20mm

1) Materials of construction apply such as hose and lube

2) 787 to 868kg depending on the standard gearbox and motor fitted

Materials

Description	Materials	Options	Paint detail
Pump housing	SG Iron		Green powder coated
Front cover	Steel		Black powder coated
Window	Plexyglass		
Rotor	SG Iron		Green powder coated
Rotor shoes	Cast aluminium	Stainless steel material	
Mounting frame	Steel		Black powder coated
Hose options	Natural Rubber (NR)	Nitrile Buna Rubber (NBR), Ethylene Propylene Diene Monomer (EPDM), food grade Nitrile Buna (NBRF) and Hypalon® (CSM)	
Port flange	CF-8M (316) stainless steel universal slotted design - fits with DIN PN16 DN80, ANSI 150# 3" & 80 - JIS10K	316 stainless steel with polypropylene or PVDF insert ³⁾ , DIN11851 hygienic, DIN32676 tri-clamp	
Lubricant options	Verderlube - glycerine based lubricant ⁴⁾ Verdersil - silicone based lubricant ⁵⁾		

3) Temperature limit for PP insert is 40 °C and for PVDF insert is 80 °C.

4) Temperature limit for Verderlube is 50 °C.

5) Suitable application above 50 °C but subject to maximum temperature limit of the hose and applications involving strong oxidising agents and nitrogenous compounds.

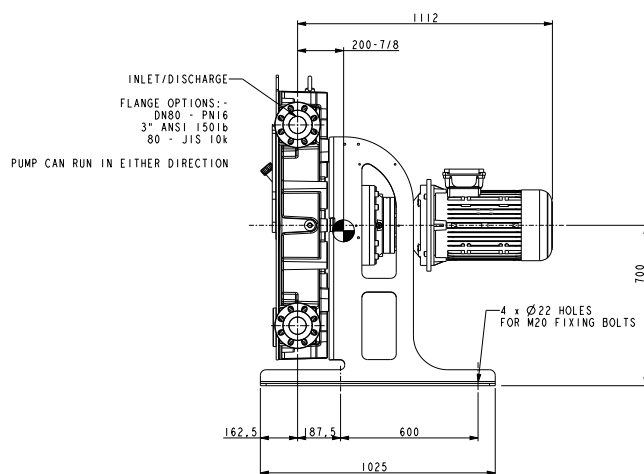
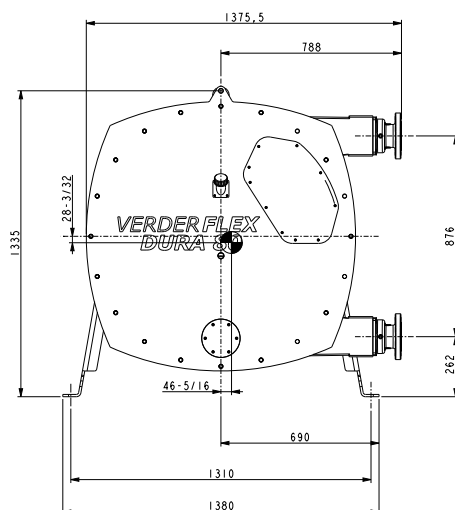
VERDERFLEX

Dura 80

Options and accessories

- Optional hose: FDA CFR21 and EC/1935.
- Optional ATEX.
- Ball valve on drain port.
- Angled metal filling port for lubricant.
- Service access port on bottom of front cover.
- Lifting point for front cover.
- Lubricant level gauge (optional).

Dimensions

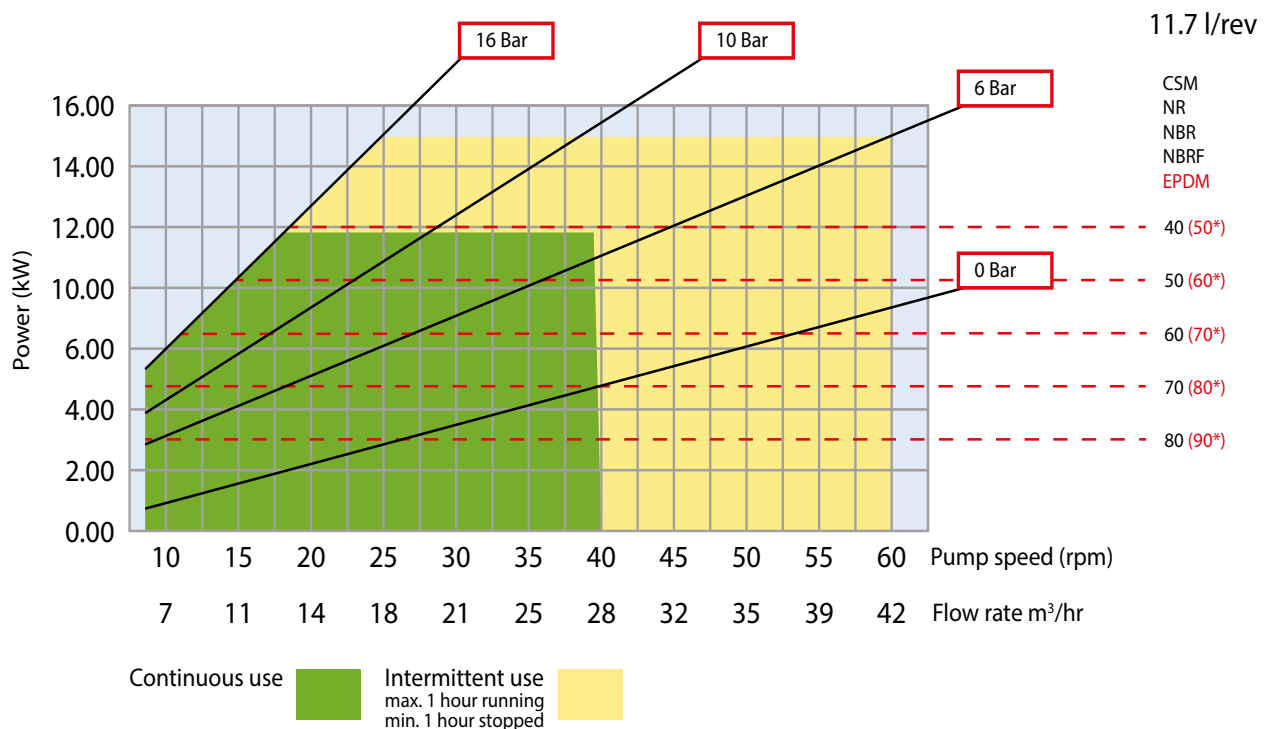


*All dimensions are in mm.
All dimensions and weights are for guidance only.*

VERDERFLEX

Dura 80

Performance curve



Flows are typical and were measured with water at 20 °C with 1 metre suction lift. Actual flows will vary according to suction conditions, discharge pressure and normal component production tolerances.

Trademarks

VERDERFLEX® is a registered trademark of Verder Liquids B.V. No permission is granted to use any Verder trademarks or trade names included in this document without the prior written agreement of Verder Liquids B.V. Tri-clamp® is a registered trademark of Alfa Laval Corporate AB. Hypalon® is a registered trademark of RSCC Wire & Cable LLC.

Find your local supplier at www.verderliquids.com

