

VERDERAIR VA-E25

Electric Diaphragm Pump

859.0510
Rev.F
EN

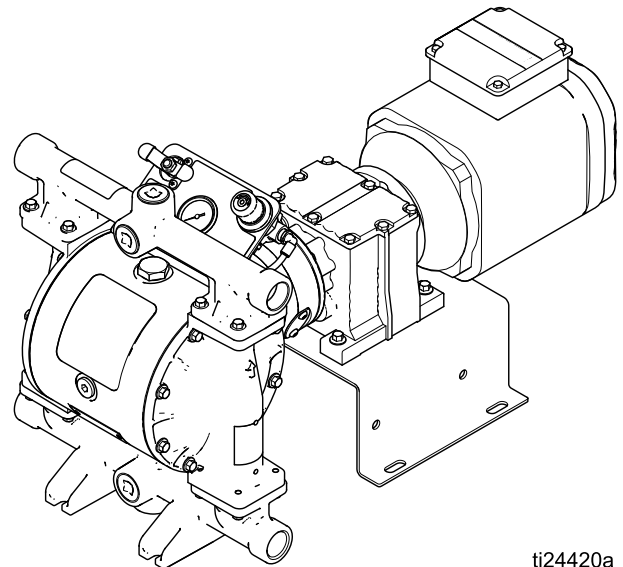
1-Inch pumps with electric drive for fluid transfer applications. For professional use only.



Important Safety Instructions

Read all warnings and instructions in this manual and in your VERDERAIR VA-E25 Repair/Parts manual. **Save these instructions.**

*For maximum operating pressures, see the Performance Charts on pages 23–25.
See pages 6–7 for model information, including approvals.*



ti24420a

Contents











Related Manuals	2	Compressor Wiring	17
Warnings	3	Wiring Tips	18
Pump Matrix	6	Operation	19
Overview	8	Tighten Fasteners	19
Installation	9	Initial Configuration (AC with VFD)	19
General Information	9	Flush the Pump Before First Use	19
Tighten Fasteners	9	Transfer Mode Vs. Low Pulsation	
Tips to Reduce Cavitation	9	Mode	19
Mount the Pump	11	Start and Adjust the Pump	19
Grounding	12	Pressure Relief Procedure	20
Air Line	13	Pump Shutdown	20
Fluid Supply Line	13	Maintenance	21
Fluid Outlet Line	13	Maintenance Schedule	21
Leak Sensor	14	Tighten Threaded Connections	21
Leak Sensor Wiring (AC Models)	14	Flushing and Storage	21
Electrical Connections (AC Models)	15	Torque Instructions	22
Wire Connections at the Variable		Performance Charts	23
Frequency Drive (VFD)	15	Dimensions (typical only)	28
Wire Connections at the Standard		Technical Data	37
Motor	15	Customer Services/Guarantee	41
Wire Connections at the ATEX Motor	16		
Wire Connections at the Explosionproof			
Motor	16		







Related Manuals






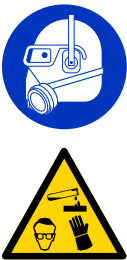
Manual Number	Title
859.0511	VA-E25 Electric Double Diaphragm Pump, Repair/Parts

Warnings

The following warnings are for the setup, use, grounding, maintenance, and repair of this equipment. The exclamation point symbol alerts you to a general warning and the hazard symbols refer to procedure-specific risks. When these symbols appear in the body of this manual or on warning labels, refer back to these Warnings. Product-specific hazard symbols and warnings not covered in this section may appear throughout the body of this manual where applicable.

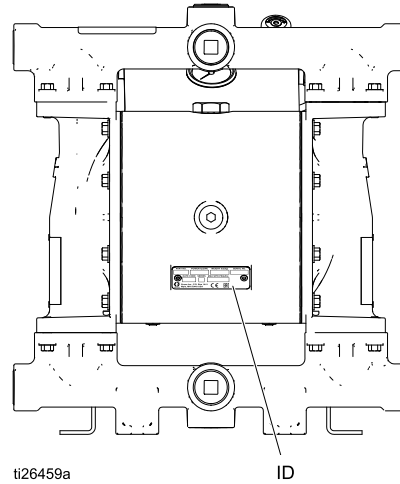
 <h1 style="margin: 0;">WARNING</h1>	
 	<p>ELECTRIC SHOCK HAZARD</p> <p>This equipment must be grounded. Improper grounding, setup, or usage of the system can cause electric shock.</p> <ul style="list-style-type: none"> • Turn off and disconnect power at main switch before disconnecting any cables and before servicing or installing equipment. • Connect only to grounded power source. • All electrical wiring must be done by a qualified electrician and comply with all local codes and regulations. • Wait five minutes for capacitor discharge before opening equipment.
      	<p>FIRE AND EXPLOSION HAZARD</p> <p>Flammable fumes, such as solvent and paint fumes, in work area can ignite or explode. Paint or solvent flowing through the equipment can cause static sparking. To help prevent fire and explosion:</p> <ul style="list-style-type: none"> • Use equipment only in well ventilated area. • Eliminate all ignition sources; such as pilot lights, cigarettes, portable electric lamps, and plastic drop cloths (potential static arc). • Ground all equipment in the work area. See Grounding instructions. • Keep work area free of debris, including solvent, rags and gasoline. • Do not plug or unplug power cords, or turn power or light switches on or off when flammable fumes are present. • Use only grounded hoses. • Stop operation immediately if static sparking occurs or you feel a shock. Do not use equipment until you identify and correct the problem. • Keep a working fire extinguisher in the work area. <p>Static charge may build up on plastic parts during cleaning and could discharge and ignite flammable vapors. To help prevent fire and explosion:</p> <ul style="list-style-type: none"> • Clean plastic parts only in well ventilated area. • Do not clean with a dry cloth. • Do not operate electrostatic guns in equipment work area.

 <h1 style="margin: 0;">WARNING</h1>	
 	<p>PRESSURIZED EQUIPMENT HAZARD</p> <p>Fluid from the equipment, leaks, or ruptured components can splash in the eyes or on skin and cause serious injury.</p> <ul style="list-style-type: none"> Follow the Pressure Relief Procedure when you stop spraying/dispensing and before cleaning, checking, or servicing equipment. Tighten all fluid connections before operating the equipment. Check hoses, tubes, and couplings daily. Replace worn or damaged parts immediately.
 	<p>EQUIPMENT MISUSE HAZARD</p> <p>Misuse can cause death or serious injury.</p> <ul style="list-style-type: none"> Do not operate the unit when fatigued or under the influence of drugs or alcohol. Do not exceed the maximum working pressure or temperature rating of the lowest rated system component. See Technical Data in all equipment manuals. Use fluids and solvents that are compatible with equipment wetted parts. See Technical Data in all equipment manuals. Read fluid and solvent manufacturer's warnings. For complete information about your material, request Safety Data Sheet (SDS) from distributor or retailer. Turn off all equipment and follow the Pressure Relief Procedure when equipment is not in use. Check equipment daily. Repair or replace worn or damaged parts immediately with genuine manufacturer's replacement parts only. Do not alter or modify equipment. Alterations or modifications may void agency approvals and create safety hazards. Make sure all equipment is rated and approved for the environment in which you are using it. Use equipment only for its intended purpose. Call your distributor for information. Route hoses and cables away from traffic areas, sharp edges, moving parts, and hot surfaces. Do not kink or over bend hoses or use hoses to pull equipment. Keep children and animals away from work area. Comply with all applicable safety regulations.
	<p>PRESSURIZED ALUMINUM PARTS HAZARD</p> <p>Use of fluids that are incompatible with aluminum in pressurized equipment can cause serious chemical reaction and equipment rupture. Failure to follow this warning can result in death, serious injury, or property damage.</p> <ul style="list-style-type: none"> Do not use 1,1,1-trichloroethane, methylene chloride, other halogenated hydrocarbon solvents or fluids containing such solvents. Do not use chlorine bleach. Many other fluids may contain chemicals that can react with aluminum. Contact your material supplier for compatibility.

 <h1 style="margin: 0;">WARNING</h1>	
	<p>THERMAL EXPANSION HAZARD</p> <p>Fluids subjected to heat in confined spaces, including hoses, can create a rapid rise in pressure due to the thermal expansion. Over-pressurization can result in equipment rupture and serious injury.</p> <ul style="list-style-type: none"> • Open a valve to relieve the fluid expansion during heating. • Replace hoses proactively at regular intervals based on your operating conditions.
	<p>PLASTIC PARTS CLEANING SOLVENT HAZARD</p> <p>Many solvents can degrade plastic parts and cause them to fail, which could cause serious injury or property damage.</p> <ul style="list-style-type: none"> • Use only compatible water-based solvents to clean plastic structural or pressure-containing parts. • See Technical Data in this and all other equipment instruction manuals. Read fluid and solvent manufacturer’s Safety Data Sheet (SDS) and recommendations.
	<p>TOXIC FLUID OR FUMES HAZARD</p> <p>Toxic fluids or fumes can cause serious injury or death if splashed in the eyes or on skin, inhaled, or swallowed.</p> <ul style="list-style-type: none"> • Read Safety Data Sheet (SDS) to know the specific hazards of the fluids you are using. • Store hazardous fluid in approved containers, and dispose of it according to applicable guidelines.
	<p>BURN HAZARD</p> <p>Equipment surfaces and fluid that’s heated can become very hot during operation. To avoid severe burns:</p> <ul style="list-style-type: none"> • Do not touch hot fluid or equipment.
	<p>PERSONAL PROTECTIVE EQUIPMENT</p> <p>Wear appropriate protective equipment when in the work area to help prevent serious injury, including eye injury, hearing loss, inhalation of toxic fumes, and burns. This protective equipment includes but is not limited to:</p> <ul style="list-style-type: none"> • Protective eyewear, and hearing protection. • Respirators, protective clothing, and gloves as recommended by the fluid and solvent manufacturer.

Pump Matrix

Check the identification plate (ID) for the Configuration Number of your pump. Use the following matrix to define the components of your pump.








Sample Configuration Number: **VA-E25 AA HY AC HY TB AC**

VA-E25	A	A	HY	AC	HY	TB	AC
Pump Model	Fluid Section Material	Drive Section Material	Check Valve Material	Check Valve Balls	Diaphragm	Connections	Options

Pump	Fluid Section Material		Drive Section Material		Check Valve Material	
VA-E25	A	Aluminum	A	Aluminum	AC	Acetal
	P	Polypropylene	S	Stainless Steel	AL	Aluminum
	S	Stainless Steel			BN	Buna-N
					GE	Geolast
					HY	TPE
					PP	Polypropylene
					SP	Santoprene
					SS	316 Stainless Steel
					VT	FKM Fluoroelastomer

Balls		Diaphragm		Connections		Options	
AC	Acetal	BN	Buna-N	FC	Center Flange DIN/ANSI	AC	Standard AC Induction Motor with Gearbox (2-pole)
BN	Buna-N	GE	Geolast	FE	End Flange DIN/ANSI	AX	AC Induction Motor, ATEX (2-pole)◆
GE	Geolast	HY	TPE	TB	Threaded BSP	AF	Explosionproof AC Induction Motor (2-pole)★
HY	TPE	NO	Polychloroprene Overmolded	TN	Threaded NPT	NG	NEMA 56 C Gearbox †
NE	Polychloroprene Standard	SP	Santoprene			IG	IEC 90 B5 Flange Gearbox †
NW	Polychloroprene Weighted	TF	PTFE/EPDM 2-Piece			B1	Standard AC Induction Motor with Compressor (120V)
SP	Santoprene	TO	PTFE/EPDM Overmolded			B2	Standard AC Induction Motor with Compressor (240V)
SS	316 Stainless Steel	VT	FKM Fluoroelastomer			BC	Standard AC Induction Motor with Gearbox (4-pole)
TF	PTFE					BX	AC Induction Motor, ATEX (4-pole)◆
VT	FKM Fluoroelastomer						

Approvals	
◆ Aluminum and stainless steel pumps with code AX and BX are certified to:	 II 2 G ck Ex d IIB T3 Gb
† Aluminum and stainless steel pumps with code NG or IG are certified to:	 II 2 G ck IIB T3 Gb
★ Motors coded AF are certified to:	 UL LISTED Class1, Zone 1, AEx d IIB T3 0°C<Ta<40°C 
All Models (except AF and A1) are certified to:	

Overview

The **VERDERAIR** VA-E25 product line offers electric-powered diaphragm pumps in a wide range of models. This section shows the basic structure of available models. Fluid section options are too numerous to include. The many manifold, seat,

ball, and diaphragm options are available on a wide variety of these models.

Center Section	Motor Type	Controller	Gearbox	Compressor	Approval Options
Aluminum or Stainless Steel	AC	VFD — not included.	Yes, part of motor	Yes-120V	None
				Yes-240V	CE
				No	
			IEC	No	ATEX and CE
	NEMA	No	Explosionproof		
	None	None	NEMA	No	CE
			IEC	No	

Key Points:

- Pumps are available with an AC motor, or with just a gearbox (for applications where a motor already is available).
- Verder recommends the use of a motor soft starter or a VFD in the electrical circuit for all installations. See the motor manufacturer’s recommendations for proper installation when using either of these components. In all cases, make sure all products are installed in accordance with local codes and regulations.
- The standard AC motor (not ATEX or Explosionproof) is available in models without a compressor, with a 120V compressor, or with a 240V compressor.

Installation

General Information

The Typical Installation shown is only a guide for selecting and installing system components. Contact your Verder representative for assistance in planning a system to suit your needs. Always use Genuine Verder Parts and Accessories. Be sure all accessories are adequately sized and pressure rated to meet the system's requirements.

Reference letters in the text, for example (A), refer to the callouts in the figures.

NOTE: For outdoor applications, be sure to provide adequate protection from the elements.

Tighten Fasteners

Before mounting and using the pump for the first time, check and retorque all external fasteners. Follow [Torque Instructions, page 22](#), or see the torque tag on your pump. After the first day of operation, retorque the fasteners.

Tips to Reduce Cavitation

Cavitation in a double diaphragm pump is the formation and collapse of bubbles in the pumped liquid. Frequent or excessive cavitation can cause serious damage, including pitting and early wear of fluid chambers, balls, and seats. It may result in reduced efficiency of the pump. Cavitation damage and reduced efficiency both result in increased operating costs.

Cavitation depends on the vapor pressure of the pumped liquid, the system suction pressure, and the velocity pressure. It can be reduced by changing any of these factors.

1. Reduce vapor pressure: Decrease the temperature of the pumped liquid.
2. Increase suction pressure:
 - a. Lower the installed position of the pump relative to the liquid level in the supply.
 - b. Reduce the friction length of the suction piping. Remember that fittings add friction length to the piping. Reduce the number of fittings to reduce the friction length.
 - c. Increase the size of the suction piping.
 - d. Increase the Net Positive Suction Head Available (NPSHa). See [Performance Charts, page 23](#).

NOTE: Be sure the inlet fluid pressure does not exceed 25% of the outlet working pressure.

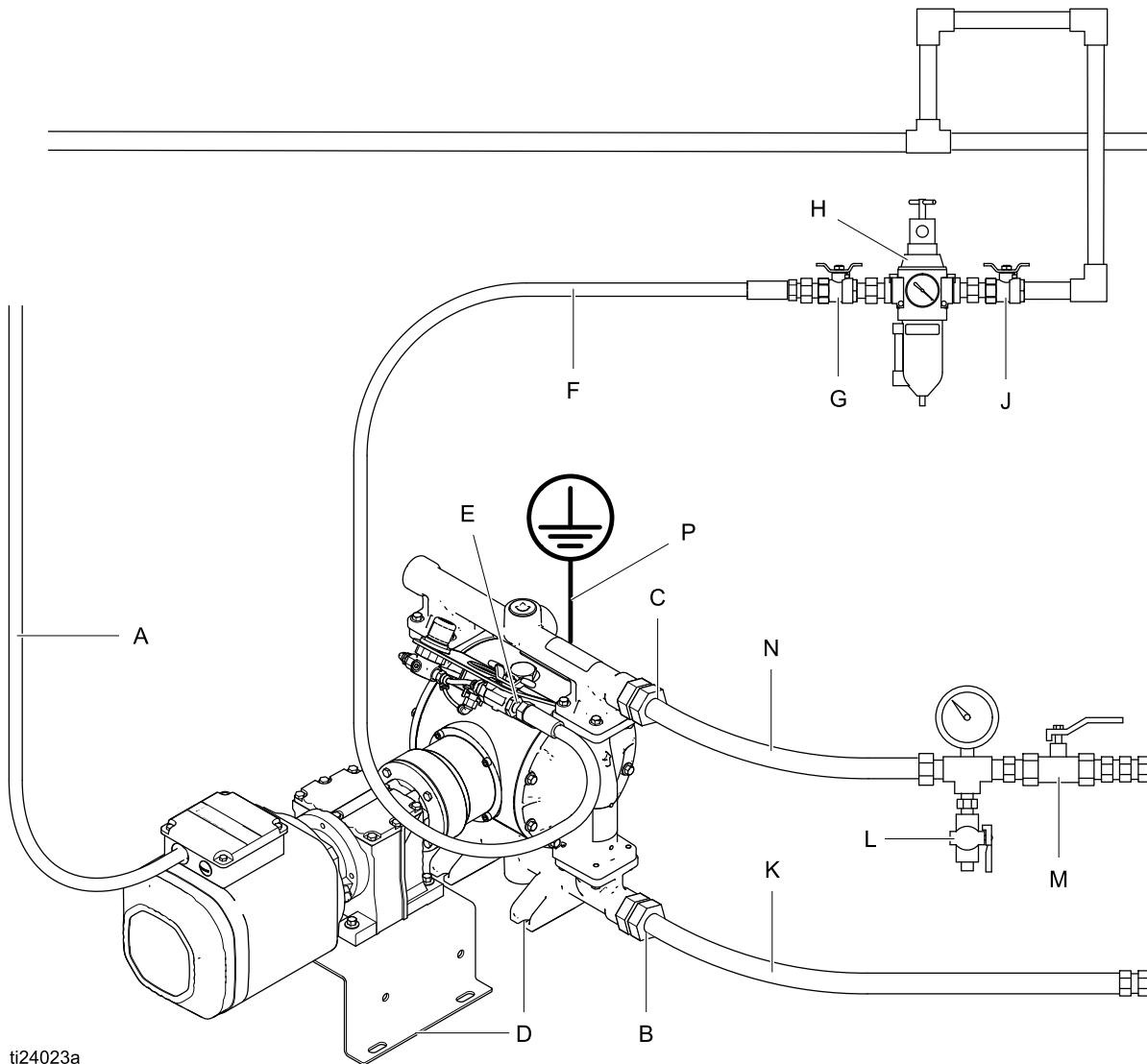
3. Reduce liquid velocity: Slow the cyclic rate of the pump.

Pumped liquid viscosity is also very important but normally is controlled by factors that are process dependent and cannot be changed to reduce cavitation. Viscous liquids are more difficult to pump and more prone to cavitation.

Take all of the above factors into account in system design. To maintain pump efficiency, supply only enough power to the pump to achieve the required flow.

Verder representatives can supply site specific suggestions to improve pump performance and reduce operating costs.

Installation



ti24023a

Figure 1 Typical Installation (AC Pump Shown)

System Components

- A Power cord to VFD
- B Fluid inlet port
- C Fluid outlet port
- D Mounting feet
- E Air inlet port

Accessories/Components Not Supplied

- F Grounded, flexible air supply hose
- G Bleed-type master air valve
- H Air filter/regulator assembly
- J Master air valve (for accessories)
- K Grounded, flexible fluid supply hose
- L Fluid drain valve (may be required for your pump installation)
- M Fluid shutoff valve
- N Grounded, flexible fluid outlet hose
- P Ground wire and clamp (required)

Mount the Pump



To avoid serious injury or death from toxic fluid or fumes:

- Never move or lift a pump under pressure. If dropped, the fluid section may rupture. Always follow the [Pressure Relief Procedure, page 20](#), before moving or lifting the pump.

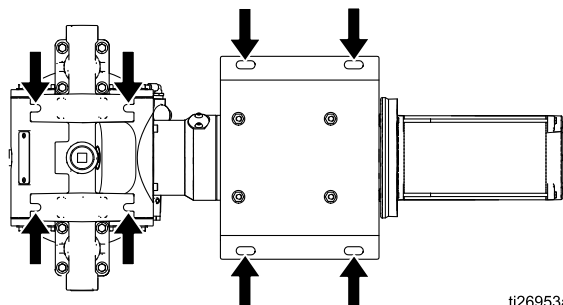
NOTICE

The pump is heavy. To prevent damage from dropping, always use 2 people or a lift to move the pump. Do not use the manifolds to lift the pump. Use at least one strap.

1. For all mountings, be sure the pump is secured with screws through the mounting feet (D) and through the mounting bracket on the gear box. See [Dimensions \(typical only\), page 28](#).

NOTICE





To prevent pump damage, use all eight fasteners.



ti26953a

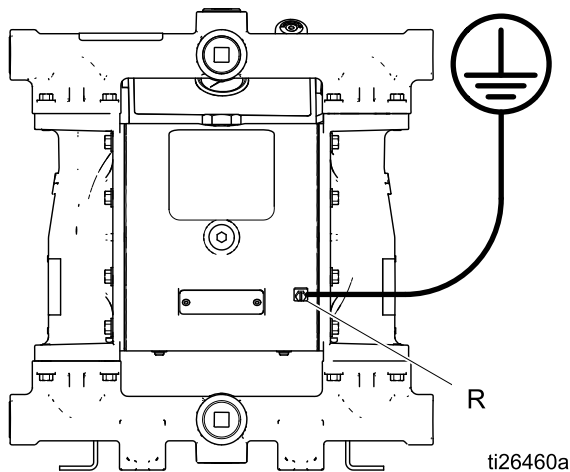
2. Make sure the surface is flat and that the pump doesn't wobble.
3. For ease of operation and service, mount the pump so fluid inlet and fluid outlet ports are easily accessible.

Grounding

				
<p>The equipment must be grounded to reduce the risk of static sparking and electric shock. Electric or static sparking can cause fumes to ignite or explode. Improper grounding can cause electric shock. Grounding provides an escape wire for the electric current.</p> <ul style="list-style-type: none"> • Always ground the entire fluid system as described below. • Pumps with Polypropylene fluid sections are not conductive. Never use a nonconductive polypropylene pump with flammable fluids. • Follow your local fire codes. 				

Before operating the pump, ground the system as explained below.

- **Pump:** Loosen the grounding screw (R). Insert one end of a 4 mm² (12 AWG) minimum ground wire behind the ground screw and tighten the screw securely. Connect the clamp end of the grounding wire to a true earth ground. A ground wire and clamp, Part 819.0157, is available from Verder.



- **Motor:** AC motors have a ground screw in the electrical box. Use it to ground the motor to the controller.
- **Air Line and Fluid hoses:** Use only grounded hoses with a maximum of 150 m (500 ft) combined hose length to ensure grounding continuity. Check electrical resistance of hoses. If total resistance to ground exceeds 29 megohms, replace hose immediately.
- **Fluid supply container:** Follow local code.
- **Solvent pails used when flushing:** Follow local code. Use only conductive metal pails, placed on a grounded surface. Do not place the pail on a nonconductive surface, such as paper or cardboard, which interrupts grounding continuity.
- **VFD:** Ground the variable frequency drive (VFD) through a proper connection to the electrical system. Refer to the VFD manual for grounding instructions.

Check your system electrical continuity after the initial installation, and then set up a regular schedule for checking continuity to be sure proper grounding is maintained. The resistance should not exceed 1 ohm.

Air Line

Models that Include a Compressor:

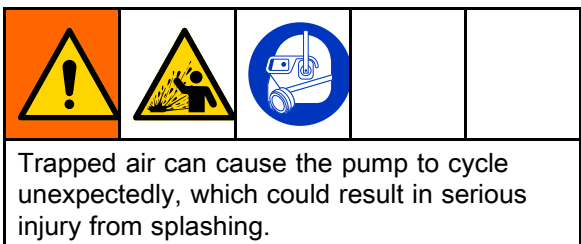
An air line is already connected from the compressor to the pump air inlet.

Using Your Own Compressor:

Install a grounded, flexible air hose from the compressor to the 3/8 npt(f) pump air inlet.

Using Shop Air:

1. Install an air filter/regulator assembly (H). The fluid stall pressure will be the same as the setting of the air regulator. The filter removes harmful dirt and moisture from the compressed air supply.
2. Locate a bleed-type master air valve (G) close to the pump and use it to relieve trapped air. Be sure the valve is easily accessible from the pump and located downstream from the regulator.



3. Locate another master air valve (J) upstream from all air line accessories and use it to isolate them during cleaning and repair.
4. Install a grounded, flexible air hose (F) between the accessories and the 3/8 npt(f) pump air inlet.

Fluid Supply Line

1. Connect a grounded, flexible fluid hose (K) to the fluid inlet port. The port on pumps with aluminum or stainless steel fluid sections is 1 in npt(f) or 1 in. bspt. On pumps with polypropylene fluid sections, the port is a 1 in. raised face ANSI/DIN flange.
2. If the inlet fluid pressure to the pump is more than 25% of the outlet working pressure, the ball check valves will not close fast enough, resulting in inefficient pump operation. Excessive inlet fluid pressure also will shorten diaphragm life. Approximately 0.2–0.3 bar (0.02–0.03 MPa, 3–5 psi) inlet fluid pressure should be adequate for most materials.
3. For maximum suction lift (wet and dry), see [Technical Data, page 37](#). For best results, always install the pump as close as possible to the material source. Minimize suction requirements to maximize pump performance.

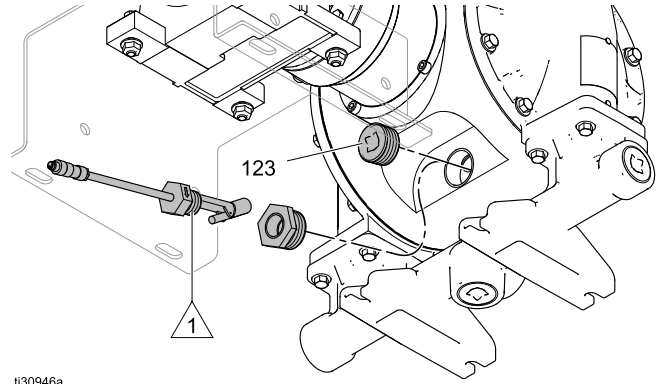
Fluid Outlet Line

1. Connect a grounded, flexible fluid hose (N) to the fluid outlet port. The port on pumps with aluminum or stainless steel fluid sections is 1 in npt(f) or 1 in. bspt. On pumps with polypropylene fluid sections, the port is a 1 in. raised face ANSI/DIN flange.
2. Install a fluid drain valve (L) near the fluid outlet.
3. Install a shutoff valve (M) in the fluid outlet line.

Installation

Leak Sensor

The optional leak sensor (Kit 859.0508) is highly recommended to avoid operating the pump with a ruptured diaphragm. To install the leak sensor, remove plug 123. Install the bushing and leak sensor. **NOTE:** The arrow on the leak sensor must point down.



t30946a

1 To ensure a watertight seal, apply Loctite® 425 Assure™ threadlocker to threads.

Leak Sensor Wiring (AC Models)

Follow these instructions to wire the optional Leak Sensor Kit 859.0508 to a VFD.

NOTE: The leak sensor is designed to operate as a normally-closed circuit.





1. Select and purchase a cable from the following table.

Part Number	Cable Length
859.0517	3.0 m (9.8 ft)
859.0518	.7.5 m (24.6 ft)
859.0519	16 m (52.5 ft)

2. After installing the leak sensor, connect the selected cable to the installed leak sensor.

3. Turn off power to the VFD.
4. Open the access cover on the VFD.
5. Attach the blue and black leads to the detection circuit in the VFD.
NOTE: Refer to the VFD manual for proper connection points.
6. Individually terminate the two remaining leads.
7. Close the access cover.
8. Turn on power to the VFD.
9. Configure the VFD to monitor the leak sensor circuit.

Electrical Connections (AC Models)

				
<p>To avoid injury from fire, explosion, or electric shock, all electrical wiring must be done by a qualified electrician and comply with all local codes and regulations.</p>				

Always check the motor manufacturer's manual for the proper technical and installation information.

Follow the instructions in the motor manufacturer's manual. When using a Verder inverter duty-rated motor, use of a properly-sized VFD or a motor soft-starter is recommended. In all cases, wire size, fuse size, and other electrical devices must comply with all local codes and regulations.

Wire Connections at the Variable Frequency Drive (VFD)

Follow the instructions in the VFD manufacturer's manual.

NOTICE
<p>To avoid equipment damage, do not plug the motor directly into a wall socket.</p>

Wire Connections at the Standard Motor

Install the wiring at the motor as follows:

1. Open the motor's electrical box.
2. Install wiring system with proper liquid-tight connections in one of the ports at the side of the motor box.
3. Connect the green ground wire to the ground screw.

4. **For 460V Wiring:** The motor comes wired for 460V. If this is the voltage you want, the existing wiring can remain as it is. Connect power wires L1 to U1, L2 to V1 and L3 to W1, as shown.

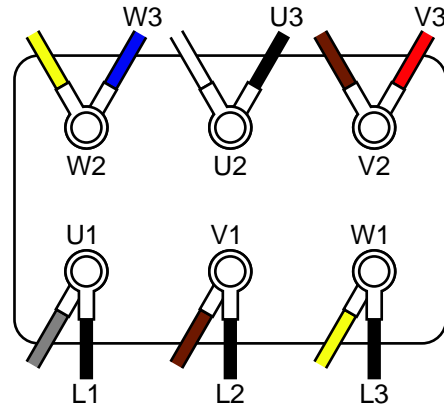


Figure 2 Connections for 460V Wiring

5. **For 230V Wiring:** Move the black wire (U3), the red wire (V3) and the blue wire (W3) as shown. Bridge W2, U2, and V2. Then connect power wires L1 to U1, L2 to V1 and L3 to W1.

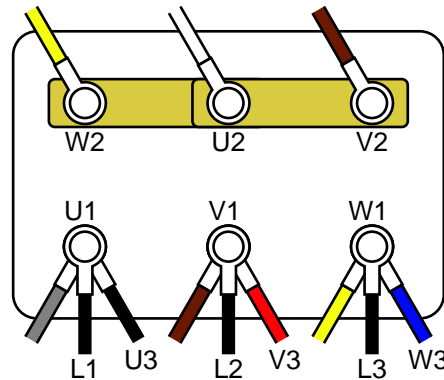


Figure 3 Connections for 230V Wiring

6. Torque terminals to 2.3 N•m (20 in-lb).
7. Close the motor electrical box. Torque the screws to 2.3 N•m (20 in-lb).

Wire Connections at the ATEX Motor

Install the wiring at the motor as follows:

1. Open the motor's electrical box.
2. Install wiring system with proper connections to the motor electrical box.
3. Connect the green ground wire to the ground screw.
4. **For 415V Wiring:** Bridge as shown, then connect wire L1 to U1, L2 to V1, and L3 to W1.

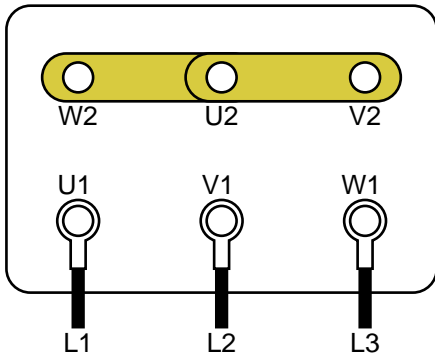


Figure 4 Connections for a 415V Wiring

5. **For 240V Wiring:** Connect wire L1 to U1, L2 to V1, and L3 to W1. Bridge as shown.

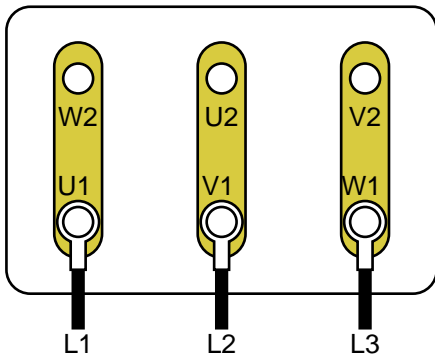


Figure 5 Connections for a 240V Wiring

6. Torque terminals to 2.3 N•m (20 in-lb).
7. Close the motor electrical box. Torque the screws to 2.3 N•m (20 in-lb).

Wire Connections at the Explosionproof Motor

Install the wiring at the motor as follows:

1. Open the motor's electrical box.
2. Install wiring system with proper connections to the motor electrical box.
3. Connect the green ground wire to the ground screw.
4. **For 460V Wiring:** Connect wire L1 to T1, L2 to T2, and L3 to T3, and bridge the other wires, as shown.

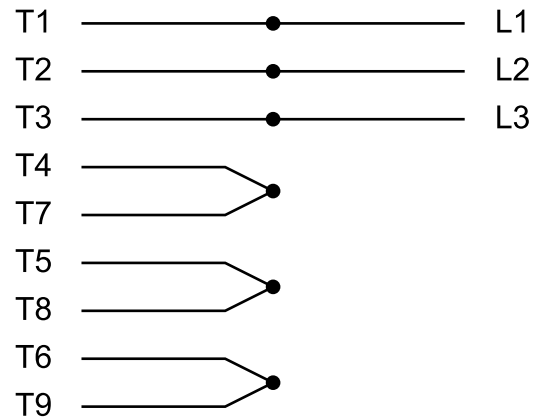


Figure 6 Connections for 460V Wiring

5. **For 230V Wiring:** Bridge the wires as shown. Then, connect L1 to T1/T7, L2 to T2/T8, and L3 to T3/T9.

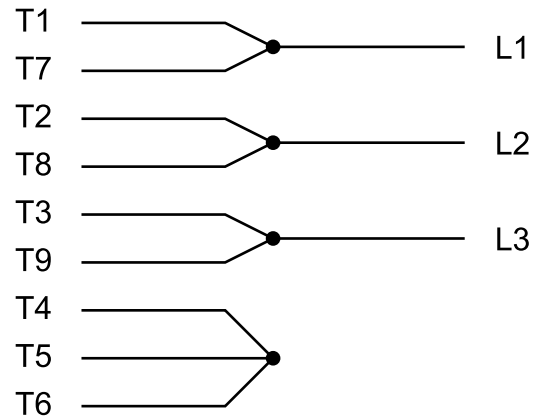



Figure 7 Connections for 230V Wiring

6. **Option:** Connect thermostat wires P1 and P2 to external overload detection. Thermostat is NC (normally closed).
7. Close the motor electrical box. Torque the screws to 2.3 N•m (20 in-lb).

Compressor Wiring

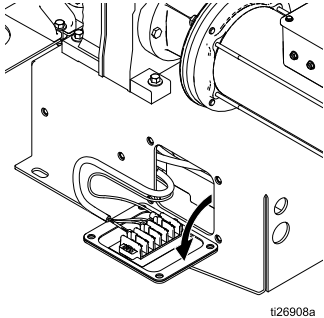
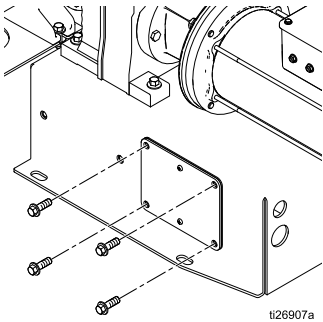
				
<p>To avoid injury from fire, explosion, or electric shock, all electrical wiring must be done by a qualified electrician and comply with all local codes and regulations.</p>				

Follow these instructions to wire Verder Compressor 859.0502 (120V) or 859.0501 (240V).

See [Wiring Tips, page 18](#), for additional information on wire routing.

NOTE: Use only copper wire with an insulation rating of 75°C or higher.

1. Remove the cover from the compressor's electrical box.




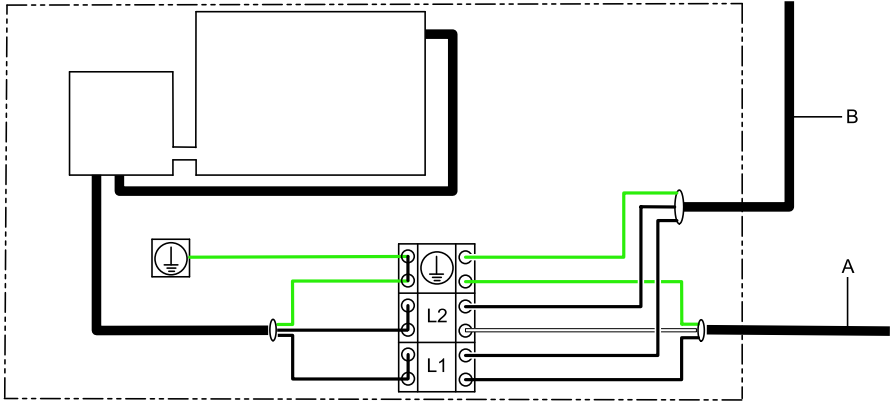
2. Install wiring system with proper connections (i.e. conduit/fittings, power cable/cable grip) to the compressor electrical box.
3. Connect line power (120VAC or 240 VAC, depending on your compressor) to L1 and L2/N. Connect supply ground to . Wire according to local code. Torque terminals to 1.2 N•m (10 in-lb).
4. When powering the VFD on the same circuit as the compressor, connect branch wiring to L1, L2/N and Ground, then connect to the VFD.
5. Reinstall the cover of the electrical box. Torque screws to 6.8 N•m (60 in-lb).

Figure 8



KEY
A To power supply
B To controller

Wiring Tips

- Use a grounded or shielded metal conduit for power cabling.
- Use the shortest possible cables or wires for incoming power.
- Use the shortest possible cables or wires between the controller and the motor.
- Route low-voltage cables away from high-power cables or wires or other known electromagnetic interference EMI sources. If cables must cross, cross at a 90° angle.

Operation

Tighten Fasteners

Before mounting and using the pump for the first time, check and retorque all external fasteners. Follow [Torque Instructions, page 22](#), or see the torque tag on your pump. After the first day of operation, retorque the fasteners.

Initial Configuration (AC with VFD)

Configure the VFD according to the motor nameplate information.

Flush the Pump Before First Use

The pump was tested in water. If water could contaminate the fluid you are pumping, flush the pump thoroughly with a compatible solvent. See [Flushing and Storage, page 21](#).

Transfer Mode Vs. Low Pulsation Mode

When the air pressure is at least 0.7 bar higher than the desired outlet pressure, the pump is in Transfer Mode and no pulsation damping is occurring. To reduce outlet pulsation, start by setting the air pressure *equal* to the desired outlet fluid pressure. Continue to adjust the air pressure relative to the outlet fluid pressure. Lower relative air pressures produce more pulsation damping. Higher relative air pressures produce better pump efficiency.

NOTE: Low pulsation mode may invalidate the system k-factor. See the Low Pulsation chart in [Performance Charts, page 23](#).

Start and Adjust the Pump

1. Be sure the fluid system is properly grounded. See [Grounding, page 12](#).
2. Check fittings to be sure they are tight. Use a compatible liquid thread sealant on male threads. Tighten fluid inlet and fluid outlet fittings securely.
3. Place the fluid supply hose in fluid to be pumped.

NOTE: If fluid inlet pressure to the pump is more than 25% of outlet working pressure, the ball check valves will not close fast enough, resulting in inefficient pump operation.

NOTICE

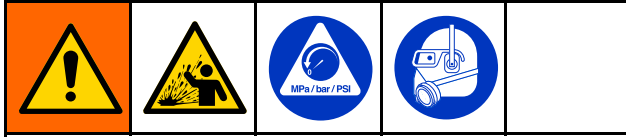
Excessive fluid inlet pressure can reduce diaphragm life.

4. Place the end of the fluid hose into an appropriate container.
5. Close the fluid drain valve.
6. Turn the air regulator knob to match the desired fluid stall pressure. Open all bleed-type master air valves.
7. If the fluid hose has a dispensing device, hold it open. Be sure all fluid shutoff valves are open.
8. Set the desired frequency on the VFD.
9. Press the start (run) button on the VFD.
10. If you are flushing, run the pump long enough to thoroughly clean the pump and hoses.

Pressure Relief Procedure



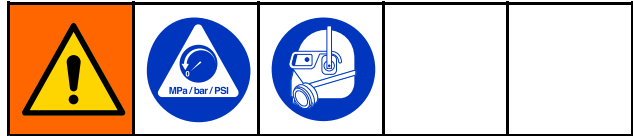
Follow the Pressure Relief Procedure whenever you see this symbol.



This equipment stays pressurized until pressure is relieved manually. To help prevent serious injury from pressurized fluid, such as splashing in the eyes or on skin, follow the Pressure Relief Procedure when you stop pumping and before you clean, check, or service the equipment.





1. Remove power from the system.
2. Open the dispensing valve, if used.
3. Open the fluid drain valve (L) to relieve fluid pressure. Have a container ready to catch the drainage.
4. Close the pump air valve.
5. **Units with a compressor:** Cycle the valve to bleed any remaining air.

Pump Shutdown



At the end of the work shift and before you check, adjust, clean, or repair the system, follow the [Pressure Relief Procedure, page 20](#).

Maintenance

				
<p>To avoid injury from fire, explosion, or electric shock, all electrical wiring must be done by a qualified electrician and comply with all local codes and regulations.</p>				

Maintenance Schedule

Establish a preventive maintenance schedule based on the pump's service history. Scheduled maintenance is especially important to prevent spills or leakage due to diaphragm failure.

Tighten Threaded Connections

Before each use, check all hoses for wear or damage and replace as necessary. Check to be sure all threaded connections are tight and leak-free. Check mounting bolts. Check fasteners. Tighten or retorquer as necessary. Although pump use varies, a general guideline is to retorquer fasteners every two months. See [Torque Instructions, page 22](#).

Flushing and Storage

				
<p>To avoid fire and explosion, always ground equipment and waste container. To avoid static sparking and injury from splashing, always flush at the lowest possible pressure.</p>				

- Flush before first use.
- Flush before fluid can dry in the equipment, at the end of the day, before storing, and before repairing equipment.
- Flush at the lowest pressure possible. Check connectors for leaks and tighten as necessary.
- Flush with a fluid that is compatible with the fluid being dispensed and the equipment wetted parts.
- Always flush the pump and relieve the pressure before storing it for any length of time.

NOTICE

Flush the pump often enough to prevent the fluid you are pumping from drying or freezing in the pump and damaging it. Store the pump at 0°C (32°F) or higher. Exposure to extreme low temperatures may result in damage to plastic parts.

Torque Instructions

If fluid cover or manifold fasteners have been loosened, it is important to torque them using the following procedure to improve sealing.

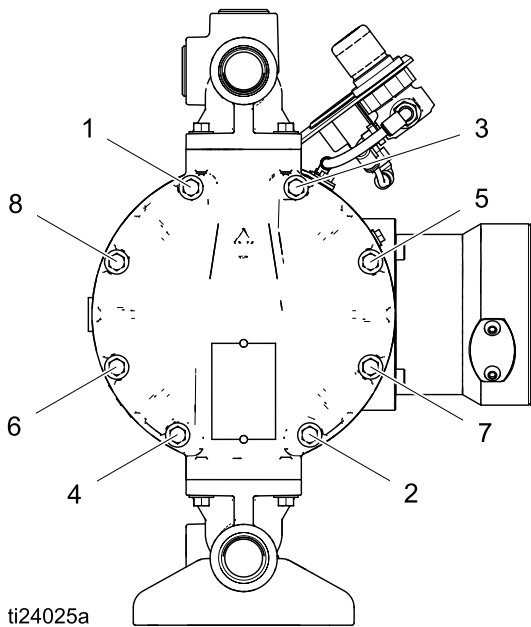
NOTE: Fluid cover and manifold fasteners have a thread-locking adhesive patch applied to the threads. If this patch is excessively worn, the fasteners may loosen during operation. Replace screws with new ones or apply medium-strength (blue) Loctite or equivalent to the threads.

NOTE: Always completely torque fluid covers before torquing manifolds.

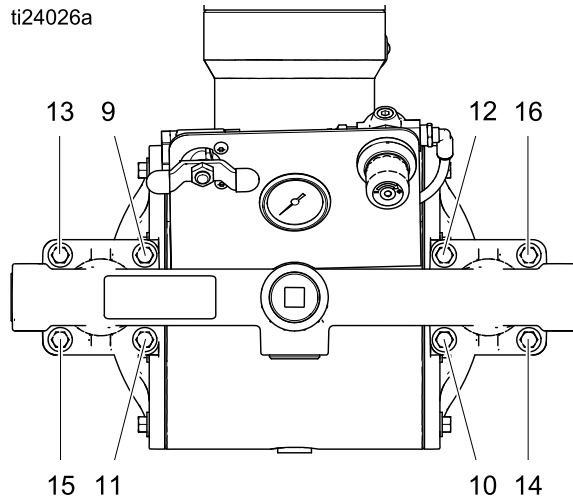
1. Start all fluid cover screws a few turns. Then, turn down each screw just until head contacts cover.
2. Turn each screw by 1/2 turn or less working in a crisscross pattern in the order shown to specified torque.
3. Repeat for manifolds.

Fluid cover and manifold fasteners: 10.2 N·m
(90 in-lb)

Fluid Cover Screws



Inlet and Outlet Manifold Screws



Performance Charts

Test Conditions: The pump was tested in water with the inlet submerged. The air pressure was set 0.7 bar (10 psi) higher than the outlet pressure.

How to Use the Charts

1. Choose a flow rate and outlet pressure that falls below the Power Limit Curve. Conditions outside of the curve will decrease the life of the pump.
2. Set the VFD frequency corresponding to the desired flow rate. Flow rates will increase with

outlet pressure lower than 0.7 bar (10 psi) and with high inlet head pressure.

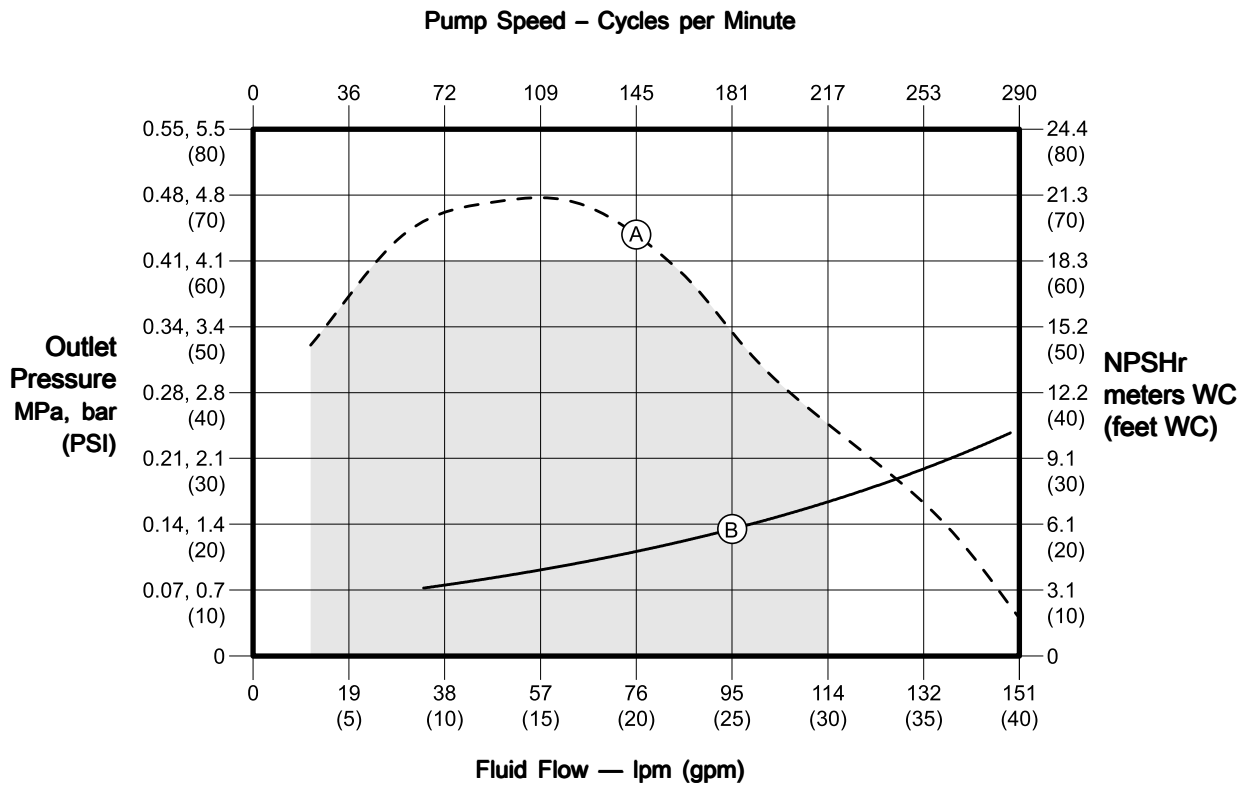
3. To prevent inlet cavitation erosion, the *Net Positive Suction Head Available (NPSHa)* of your system should be above the *Net Positive Suction Head Required (NPSHr)* line shown on the chart.

4-Pole AC Pump with 1.5 kW VFD (BC, B1, B2)

KEY

- A** Power Limit Curve
- B** Net Positive Suction Head Required

The shaded area is recommended for continuous duty.

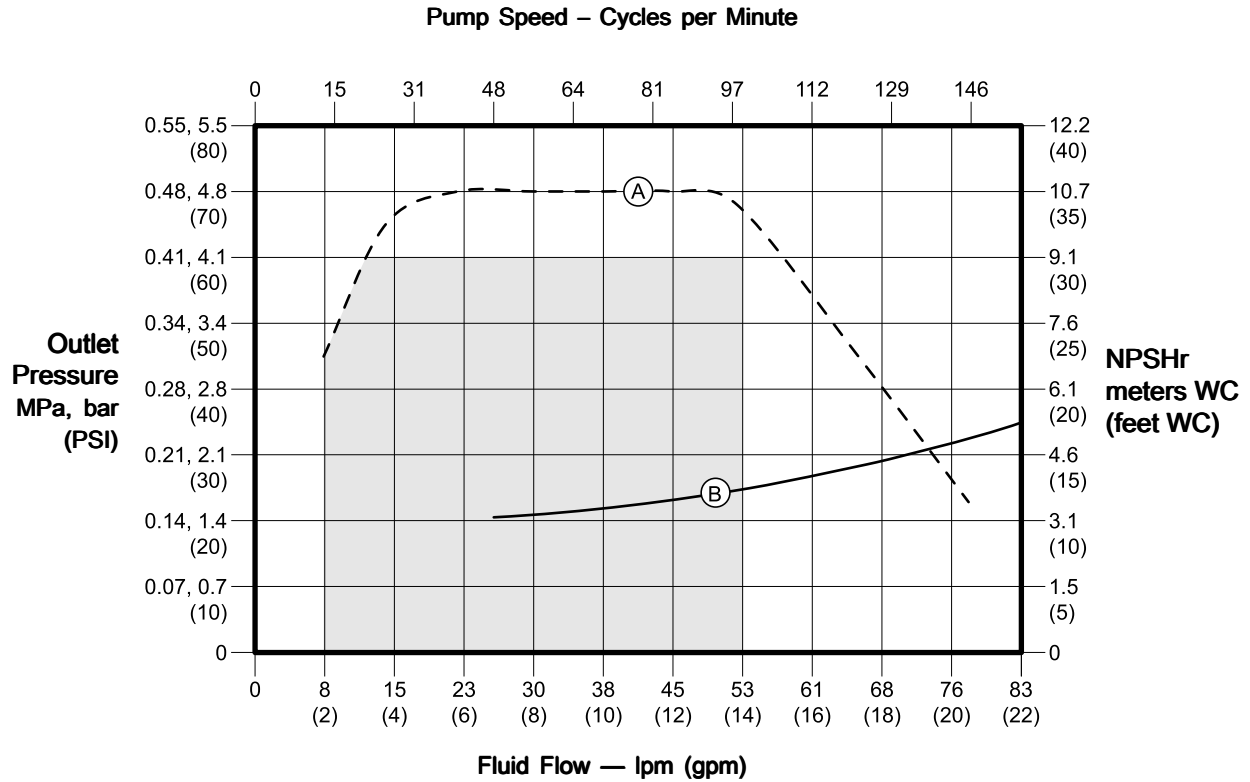


4-Pole AC Pump with 1.5 kW VFD (BX, NG, IG)

KEY

- A** Power Limit Curve
- B** Net Positive Suction Head Required

The shaded area is recommended for continuous duty.



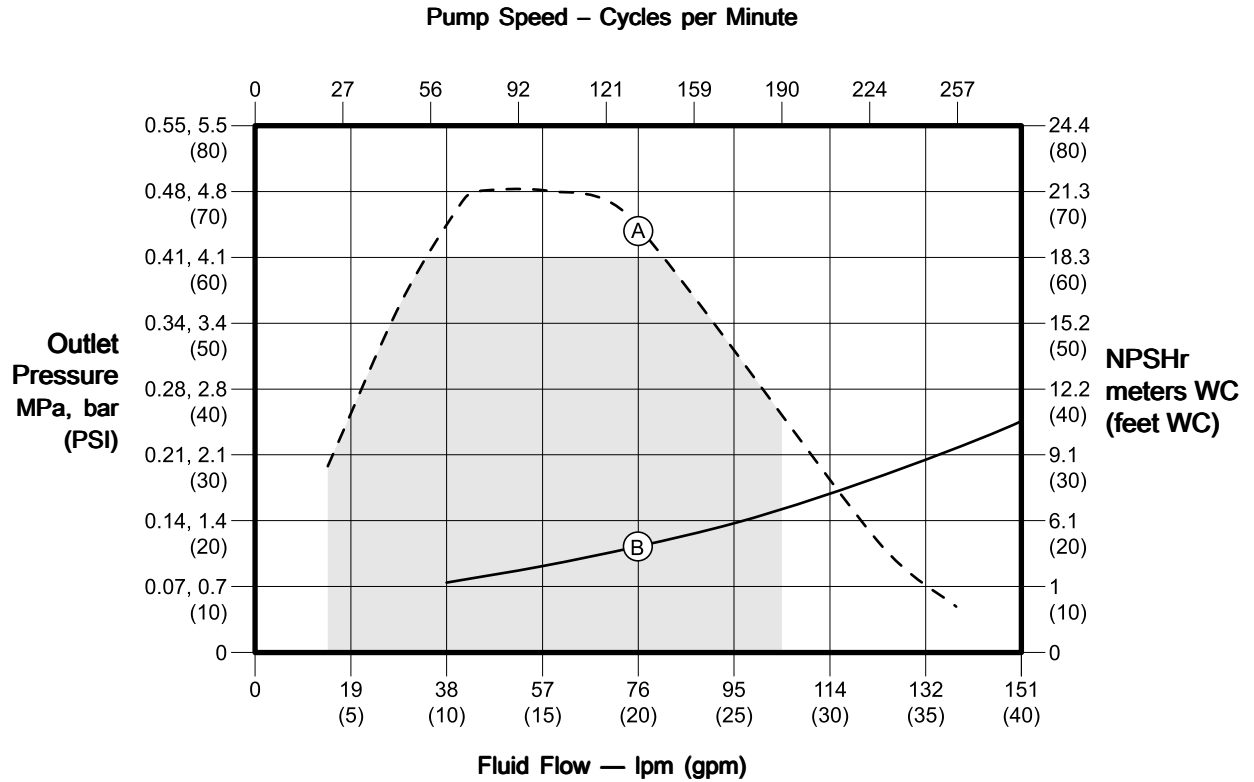
2-Pole AC Pump with 1.5 kW VFD (AC, AX, AF, NG, IG)

KEY

A Power Limit Curve

B Net Positive Suction Head Required

The shaded area is recommended for continuous duty.



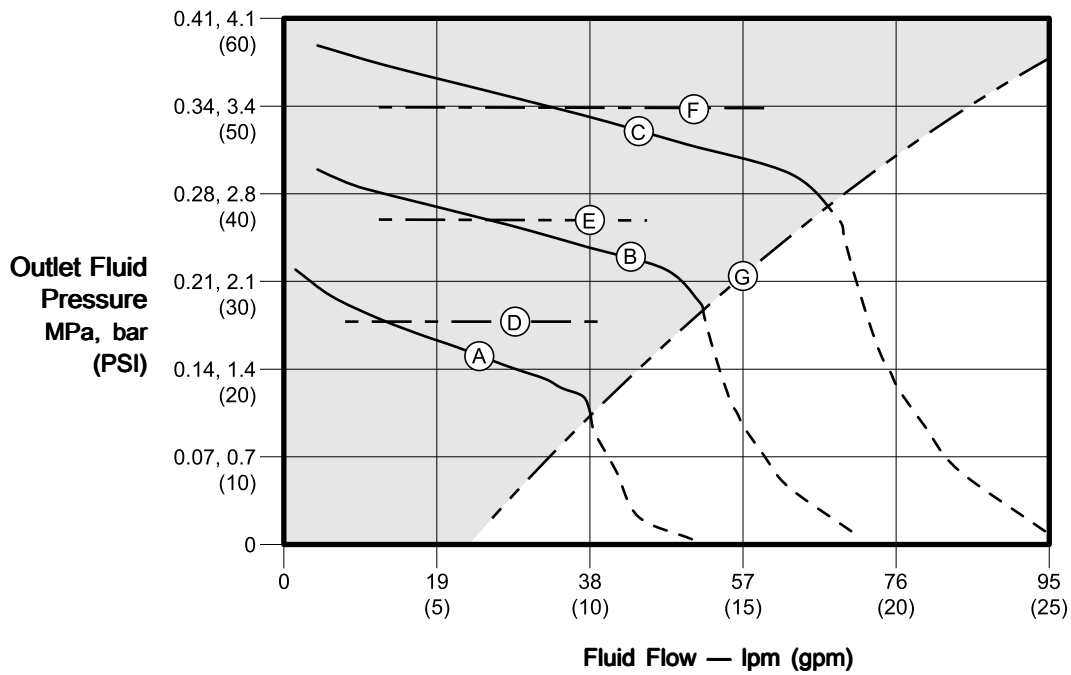
Low-Pulsation Mode

Two typical running conditions are shown in the curves. The curves show the relationship between outlet pressure and outlet flow during Low Pulsation Mode (above the transition line) and Transfer Mode (below the transition line). Adjust the pump speed and air pressure to achieve the desired result.

KEY

- A** 80 cycles per minute
- B** 115 cycles per minute
- C** 150 cycles per minute
- D** 1.7 bar (25 psi) air pressure
- E** 2.5 bar (37 psi) air pressure
- F** 3.5 bar (50 psi) air pressure
- G** Transition line (Low Pulsation Mode is shaded.)

Frequency



How to Calculate Your System's Net Positive Suction Head – Available (NPSHa)

For a given flow rate, there must be a minimum fluid head pressure supplied to the pump to prevent cavitation. This minimum head is shown on the Performance Curve, labeled as NPSHr. The units are meters WC (Water Column) absolute. The NPSHa

of your system must be greater than the NPSHr to prevent cavitation and therefore increase efficiency and the life of your pump. To calculate the NPSHa of your system, use the following equation:

$$\text{NPSHa} = H_a \pm H_z - H_f - H_{vp}$$

Where:

H_a is the absolute pressure on the surface of the liquid in the supply tank. Typically, this is atmospheric pressure for a vented supply tank, e.g. 10.4 meters at sea level.

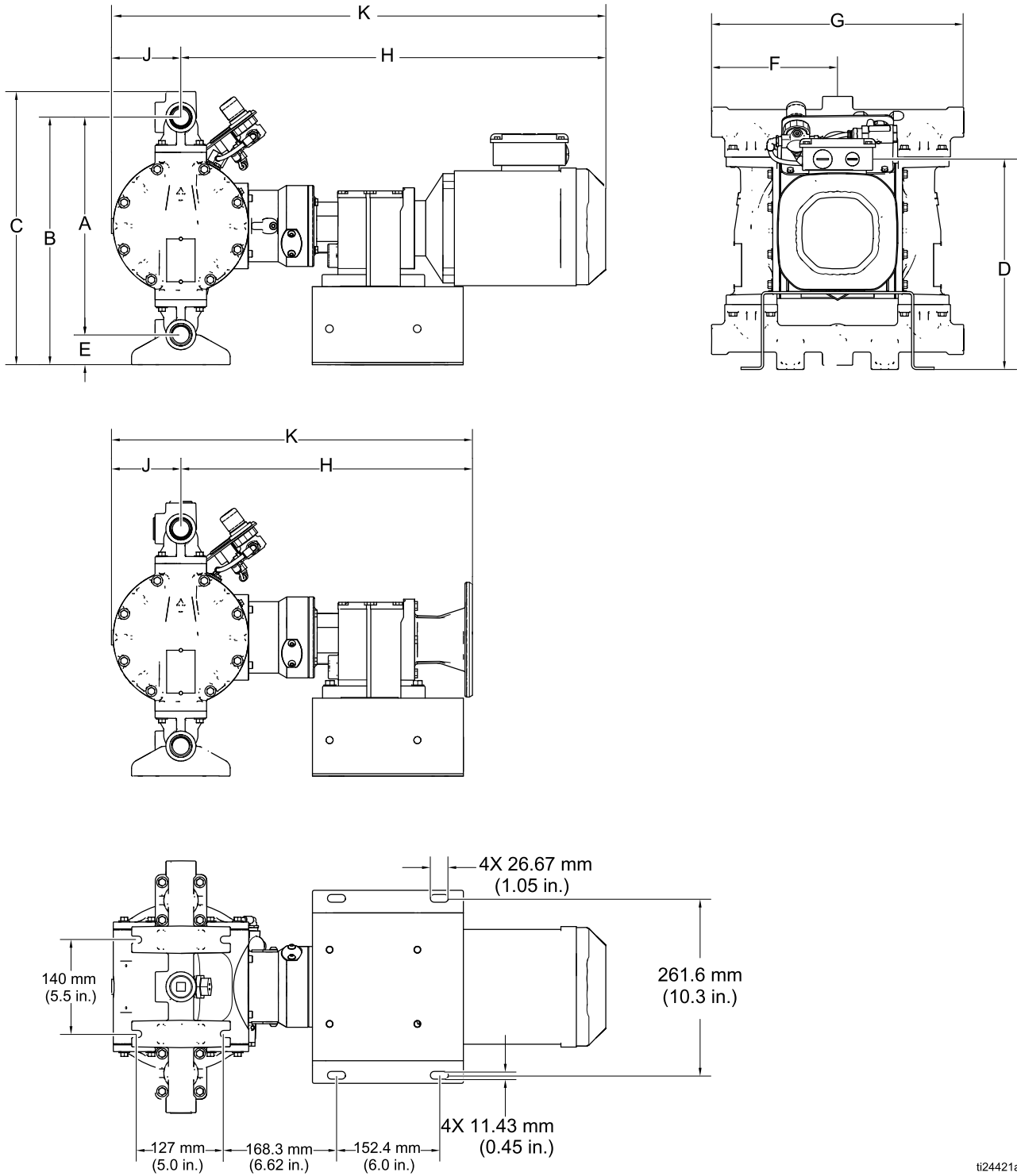
H_z is the vertical distance in meters between the surface of the liquid in the supply tank and the centerline of the pump inlet. Value should be positive if the level is higher than the pump and negative if the level is lower than the pump. Always be sure to use the lowest level the liquid can reach in the tank.

H_f is the total of the friction losses in the suction piping.

H_{vp} is the absolute vapor pressure of the liquid at the pumping temperature.

Dimensions (typical only)

Dimensions (typical only)



ti24421a

Figure 9 Pumps with Aluminum Fluid Sections, without Compressor

Dimensions (typical only)

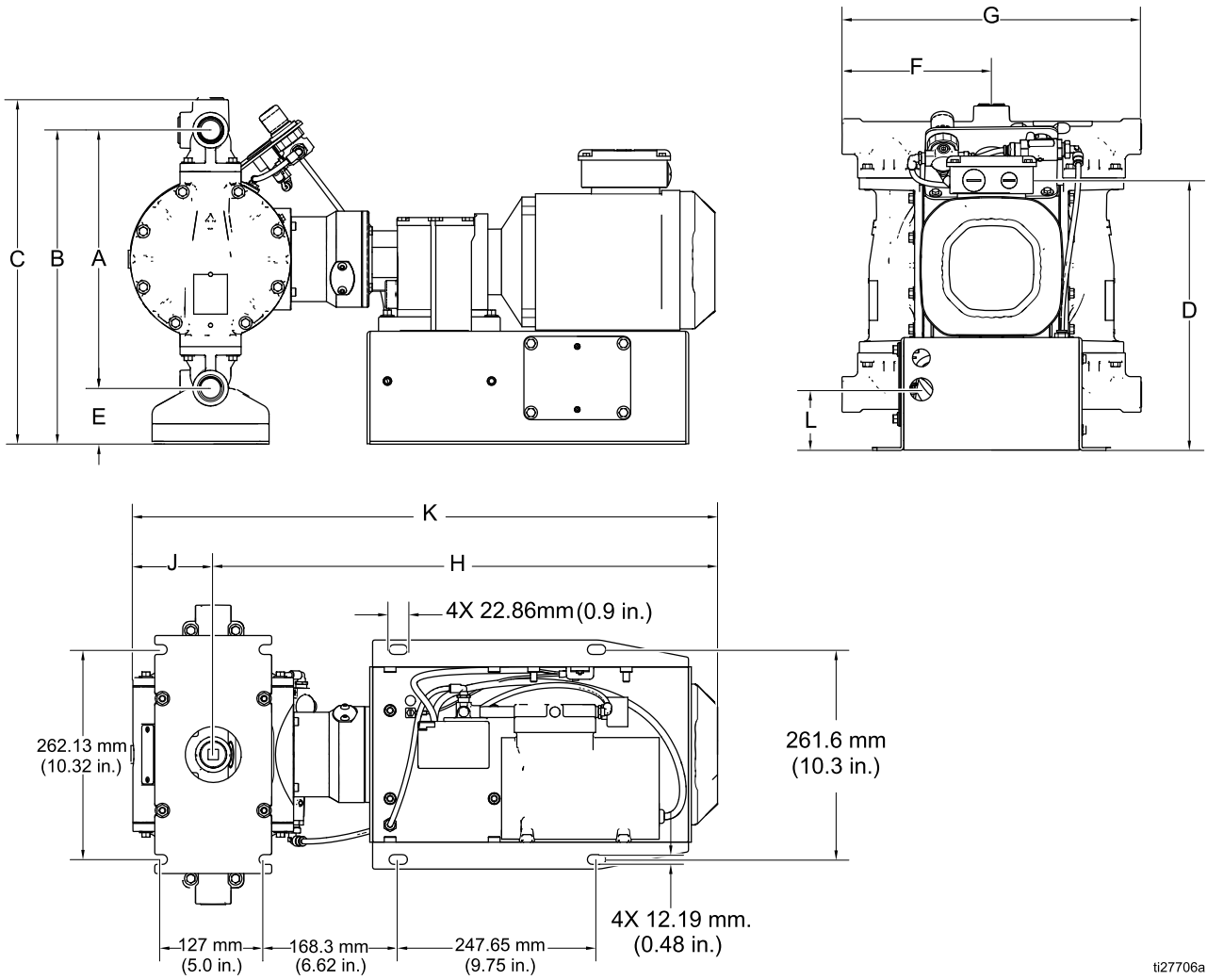


Figure 10 Pumps with Aluminum Fluid Sections, with Compressor

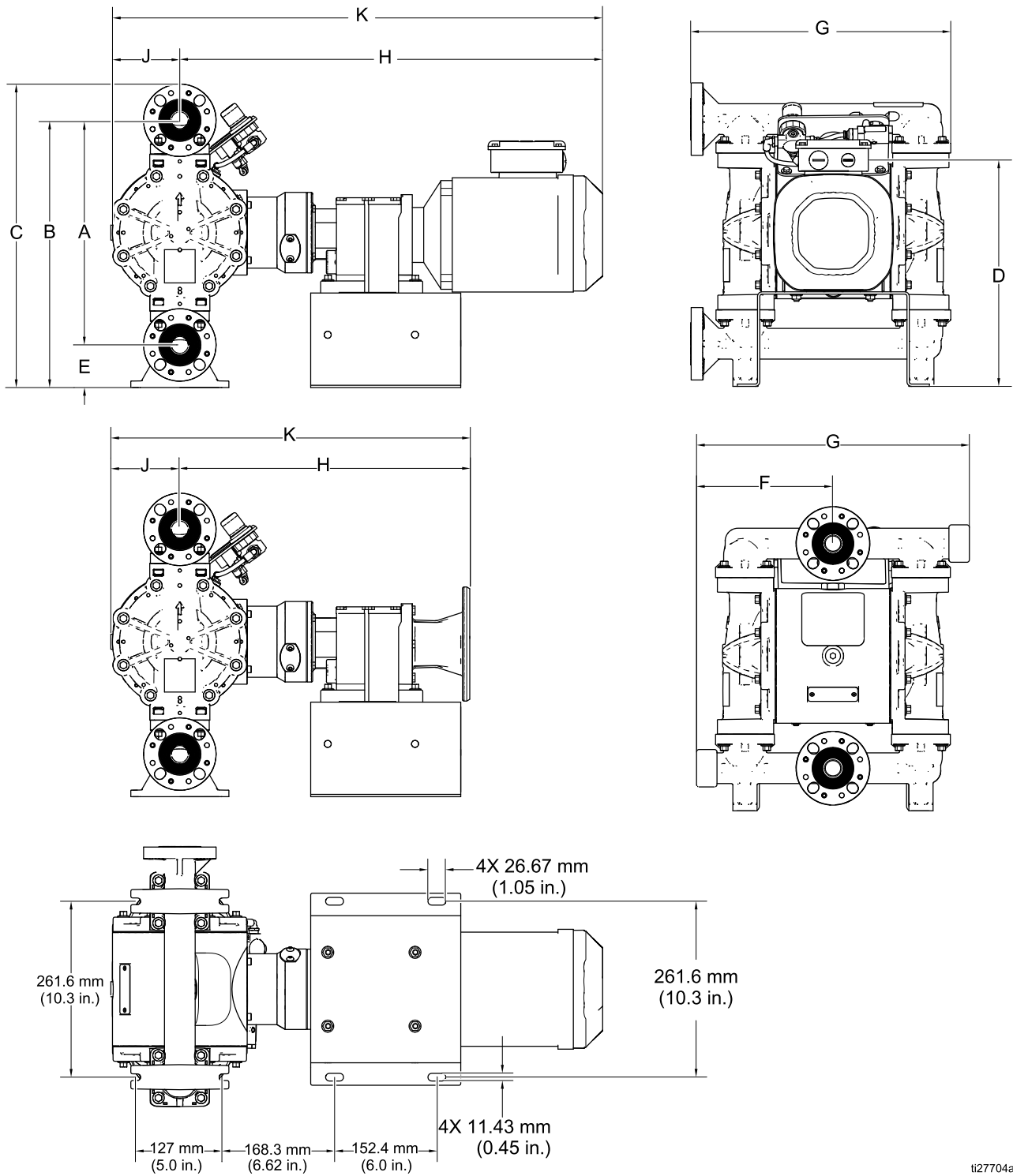
ti27706a

Dimensions (typical only)

Table 1 Dimensions for Pumps with Aluminum Fluid Sections

Ref.	Gearbox Only (NG and IG)		Gearbox and Motor (BC, AX, and AF)		Gearbox, Motor, and Compressor (B1 and B2)	
	in	cm	in	cm	in	cm
A	12.7	32.2	12.7	32.2	12.7	32.2
B	14.4	36.7	14.4	36.7	14.4	36.7
C	15.9	40.5	15.9	40.5	15.9	40.5
D			BC 12.3	BC 31.1	13.1	33.4
			AX 11.6	AX 29.4		
			AF 12.4	AF 31.5		
E	1.8	4.5	1.8	4.5	1.8	4.5
F	7.3	18.6	7.3	18.6	7.3	18.6
G	14.7	37.3	14.7	37.3	14.7	37.3
H	NG 17.0	NG 43.2	BC 24.8	BC 63.0	24.8	63.0
	IG 17.0	IG 43.2	AX 30.4	AX 77.1		
			AF 29.9	AF 75.9		
J	3.9	10.0	3.9	10.0	3.9	10.0
K	NG 21.0	NG 53.5	BC 28.8	BC 73.2	28.8	73.2
	IG 21.0	IG 53.5	AX 34.4	AX 87.4		
			AF 33.9	AF 86.1		
L	3.0	7.6	3.0	7.6	3.0	7.6

Dimensions (typical only)



ti27704a

Figure 11 Pumps with Polypropylene Fluid Sections, without Compressor

Dimensions (typical only)

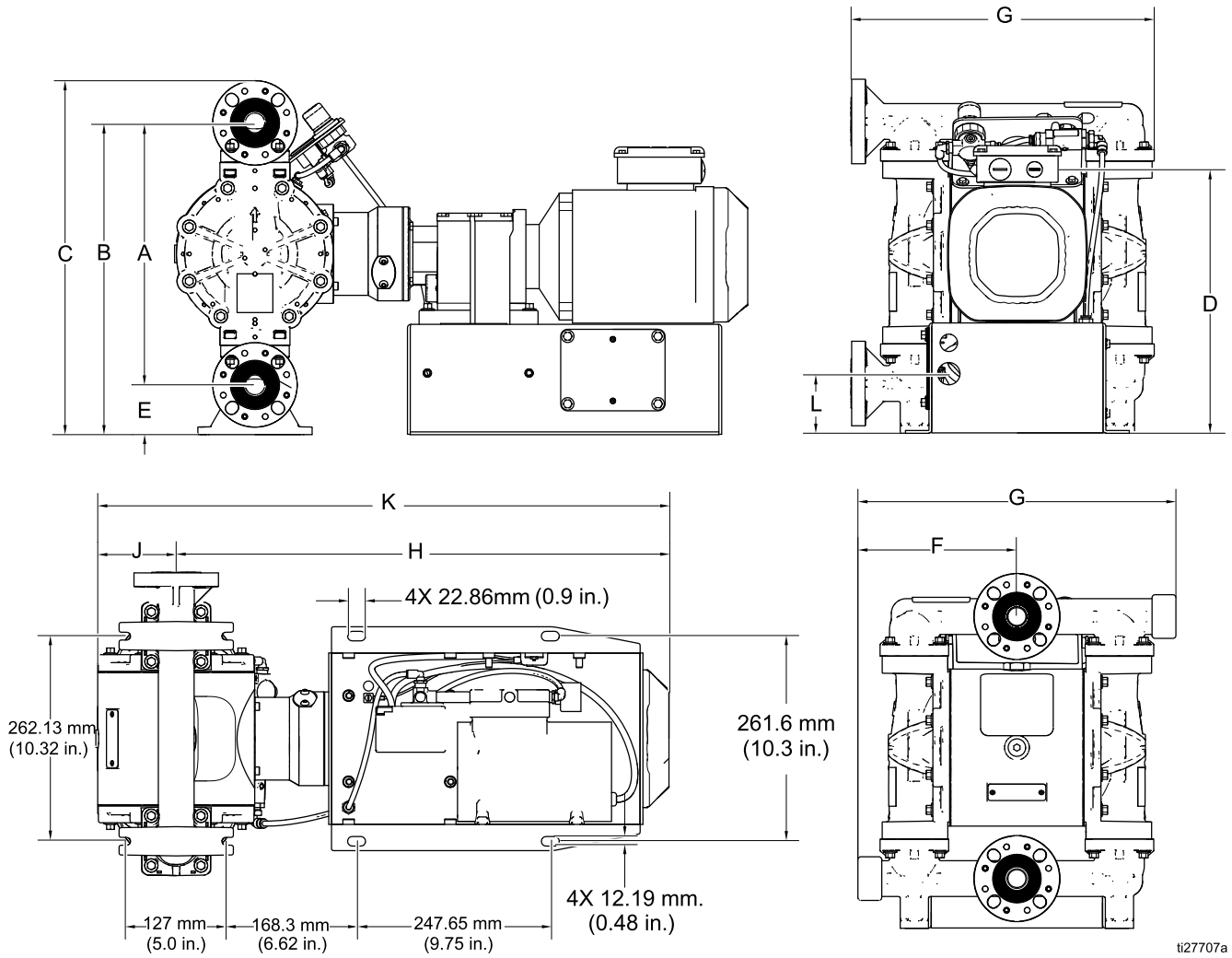
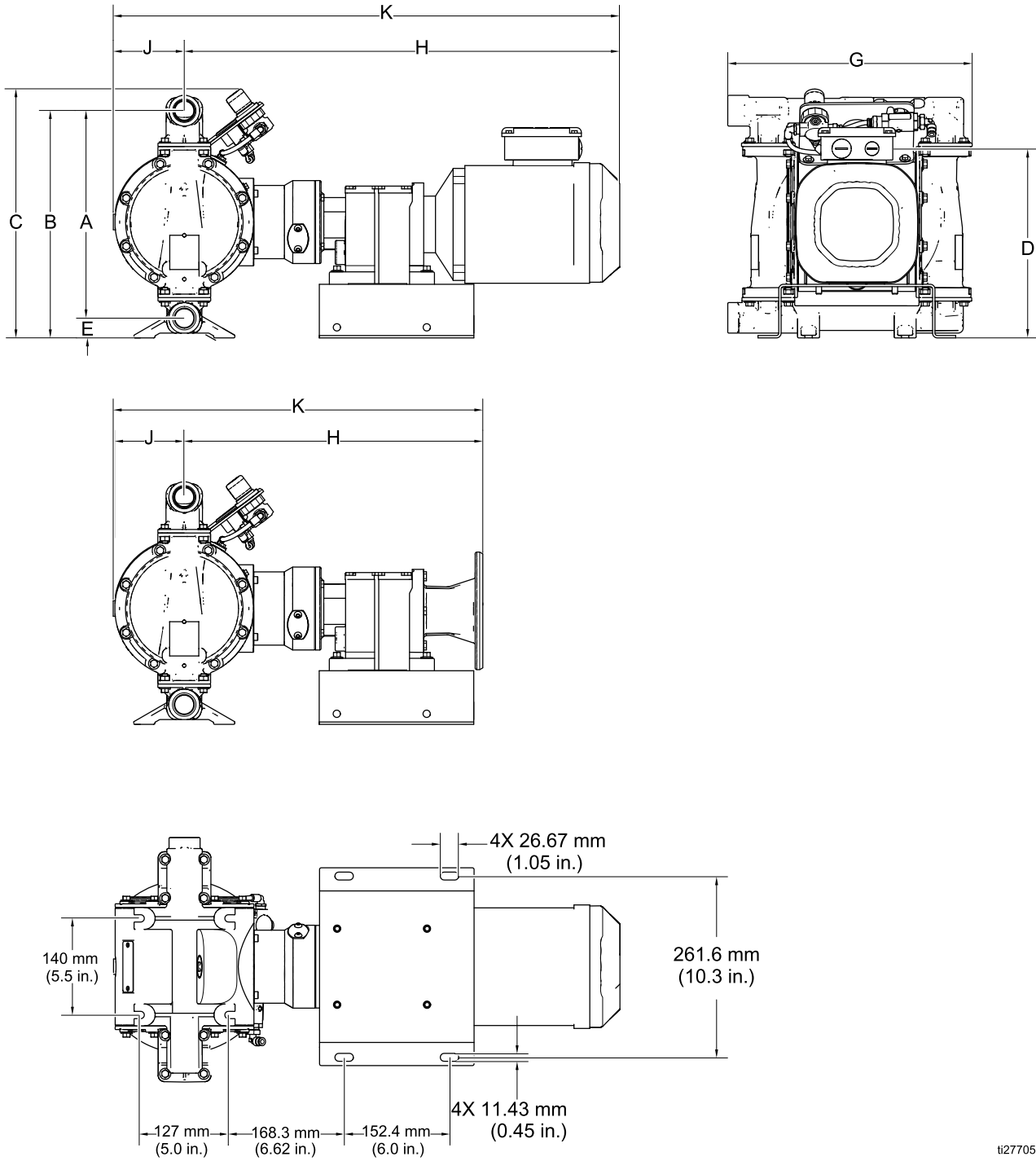


Figure 12 Pumps with Polypropylene with Compressor

Table 1 Dimensions for Pumps with Polypropylene Fluid Sections

Ref.	Gearbox Only (NG and IG)		Gearbox and Motor (BC, AX, and AF)		Gearbox, Motor, and Compressor (B1 and B2)	
	in	cm	in	cm	in	cm
A	12.1	30.8	12.1	30.8	12.1	30.8
B	15.1	38.4	15.1	38.4	15.1	38.4
C	17.8	45.2	17.8	45.2	17.8	45.2
D			BC 13.3	BC 33.7	13.3	33.7
			AX 14.1	AX 35.7		
			AF 12.4	AF 31.5		
E	1.9	4.9	1.9	4.9	1.9	4.9
F, Center Flange	8.3	21.1	8.3	21.1	8.3	21.1
F, End Flange						
G, Center Flange	16.7	42.4	16.7	42.4	16.7	42.4
G, End Flange	15.1	38.4	15.1	38.4	15.1	38.4
H	NG 17.0	NG 43.2	BC 24.8	BC 63.0	24.8	63.0
	IG 17.0	IG 43.2	AX 30.4	AX 77.1		
			AF 29.9	AF 75.9		
J	3.9	10.0	3.9	10.0	3.9	10.0
K	NG 21.0	NG 53.5	BC 28.8	BC 73.2	28.8	73.2
	IG 21.0	IG 53.5	AX 34.4	AX 87.4		
			AF 33.9	AF 86.1		
L	3.0	7.6	3.0	7.6	3.0	7.6

Dimensions (typical only)



ti27705a

Figure 13 Pumps with Stainless Steel Fluid Sections, without Compressor

Dimensions (typical only)

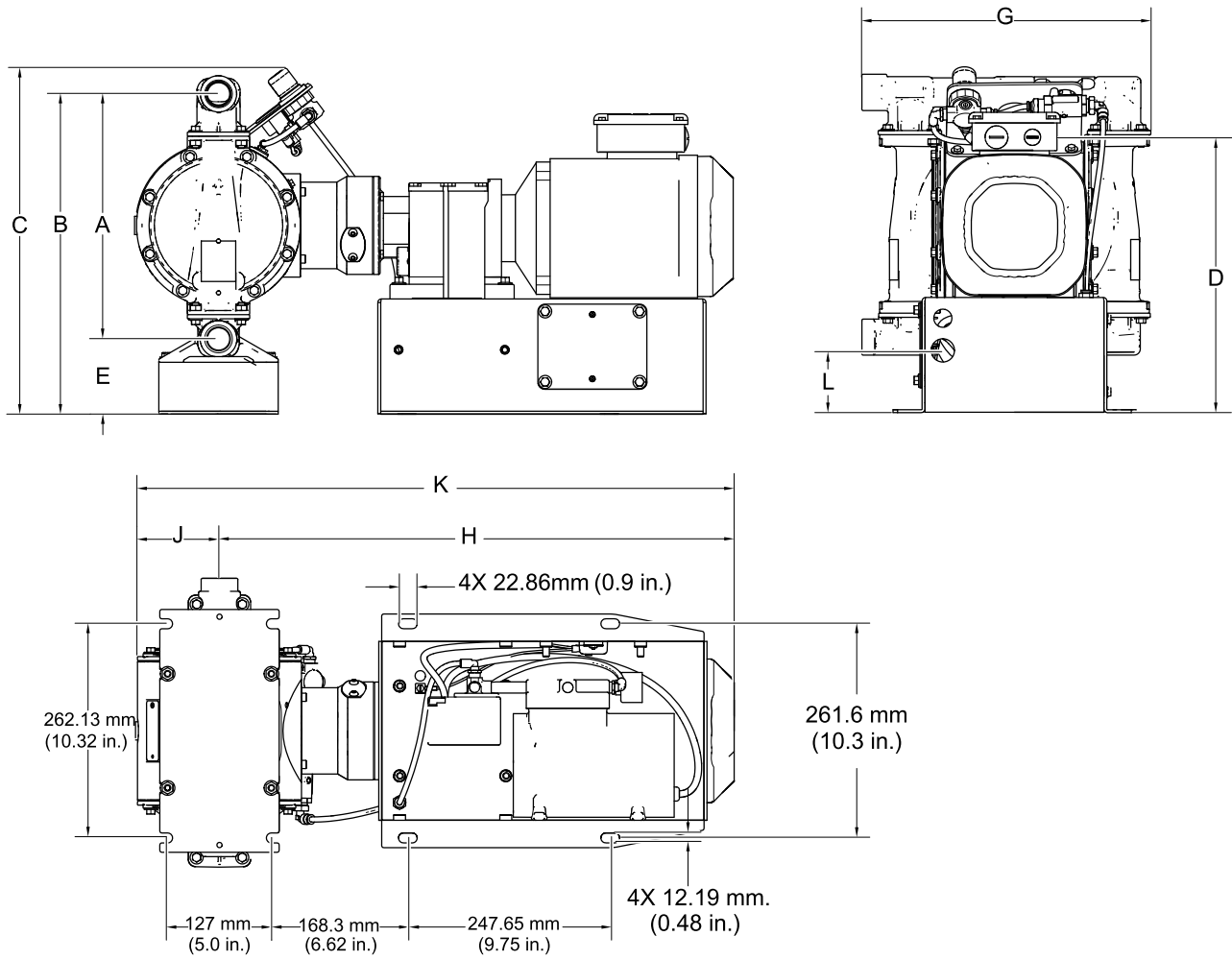


Figure 14 Pumps with Stainless Steel Fluid Sections, with Compressor

Dimensions (typical only)

Table 2 Dimensions for Pumps with Stainless Steel Fluid Sections

Ref.	Gearbox Only (NG and IG)		Gearbox and Motor (BC, AX, and AF)		Gearbox, Motor, and Compressor (B1 and B2)	
	in	cm	in	cm	in	cm
A	11.8	30.0	11.8	30.0	11.8	30.0
B	12.9	32.8	12.9	32.8	12.9	32.8
C	13.7	34.8	13.7	34.8	13.7	34.8
D			BC 9.9	BC 25.0	10.6	27.0
			AX 11.6	AX 29.4		
			AF 12.4	AF 31.5		
E	1.1	2.8	1.1	2.8	1.1	2.8
F						
G	13.6	34.5	13.6	34.5	13.6	34.5
H	NG 17.0	NG 43.2	BC 24.8	BC 63.0	24.8	63.0
	IG 17.0	IG 43.2	AX 30.4	AX 77.1		
			AF 29.9	AF 75.9		
J	3.9	10.0	3.9	10.0	3.9	10.0
K	NG 21.0	NG 53.5	BC 28.8;	BC 73.2	28.8	73.2
	IG 21.0	IG 53.5	AX 34.4	AX 87.4		
			AF 33.9	AF 86.1		
L	3.0	7.6	3.0	7.6	3.0	7.6

Technical Data

	US	Metric
VERDERAIR VA-E25 Electric Double Diaphragm Pump		
Maximum fluid working pressure	70 psi	0.48 MPa, 4.8 bar
Maximum incoming air pressure	150 psi	1.03 MPa, 10.3 bar
Center section air charge range	20 to 80 psi	0.14–0.55 MPa, 1.4–5.5 bar
Maximum air consumption	<0.2 scfh	<0.006 cubic meters/hour
Air inlet size	3/8 in. npt(f)	
Maximum suction lift (reduced if balls don't seat well due to damaged balls or seats, lightweight balls, or extreme speed of cycling)	Wet: 29 ft Dry: 16 ft	Wet: 8.8 m Dry: 4.9 m
Maximum size pumpable solids	1/8 in.	3.2 mm
Ambient air temperature range for operation and storage. NOTE: Exposure to extreme low temperatures may result in damage to plastic parts.	32° F–104° F	0° C–40° C
Fluid displacement per cycle	0.14 gallons	0.53 liters
Maximum free-flow delivery	39 gpm	148 lpm
Maximum pump speed	280 cpm	
Fluid Inlet and Outlet Size		
Aluminum or Stainless Steel	1 in npt(f) or 1 in bspt	
Polypropylene	1 in. ANSI/DIN Raised Face Flange	
Electric Motor		
AC, Standard CE (BC, B1, B2)		
Power	2 HP	1.5 kW
Speed	1800 rpm (60 Hz) or 1500 rpm (50 Hz)	
Gear Ratio	8.16	
Voltage	3-phase 230V / 3-Phase 460V	
AC, ATEX (AX)		
Power	2 HP	1.5 kW
Speed	3420 rpm (60 Hz) or 2850 rpm (50 Hz)	
Gear Ratio	18.08	
Voltage	3-phase 240V / 3-Phase 415V	

Technical Data

	US	Metric
AC, Explosionproof (AF)		
Power	2 Hp	1.5 kW
Speed	3450 rpm (60 Hz) or 2875 rpm (50 Hz)	
Gear Ratio	18.08	
Voltage	3-phase 230V / 3-Phase 460V	
Noise Data		
Sound Power (measured per ISO-9614-2)		
at 70 psi fluid pressure and 50 cpm	71 dBa	
at 30 psi fluid pressure and 280 cpm (full flow)	94 dBa	
Sound Pressure [tested 3.28 ft (1 m) from equipment]		
at 70 psi fluid pressure and 50 cpm	61 dBa	
at 30 psi fluid pressure and 280 cpm (full flow)	84 dBa	
Wetted Parts		
Wetted parts include material(s) chosen for seat, ball, and diaphragm options, plus the fluid section's material of construction: Aluminum, Polypropylene, or Stainless Steel		
Non-wetted parts		
Aluminum	aluminum, coated carbon steel, bronze	
Polypropylene	stainless steel, polypropylene, coated carbon steel, bronze	
Stainless Steel	stainless steel, aluminum, coated carbon steel, bronze	

Weights (typical only)

Pump Material		Motor/Gearbox									
Fluid Section	Center Section	AC Induction (BC)		ATEX (AX)		Flameproof (AF)		NEMA (NG)		IEC (IG)	
		lb	kg	lb	kg	lb	kg	lb	kg	lb	kg
Aluminum	Aluminum	106	48.1	144	65.3	109.5	49.7	69.5	31.5	74	33.6
Polypropylene	Aluminum	103.5	46.9	141.5	64.2	106.5	48.3	67	30.4	71.5	32.4
Polypropylene	Stainless Steel	135	61.2	173	78.5	138.5	62.8	98.5	44.7	103	46.7
Stainless Steel	Aluminum	121.5	55.1	159.5	72.3	125	55.5	85	38.6	89.5	40.6
Stainless Steel	Stainless Steel	153	69.4	191	86.6	156.5	71.0	116.5	52.8	121	54.9

Component	U.S.	Metric
Compressor	28 lb	13 kg

Fluid Temperature Range

NOTICE

Temperature limits are based on mechanical stress only. Certain chemicals will further limit the fluid temperature range. Stay within the temperature range of the most-restricted wetted component. Operating at a fluid temperature that is too high or too low for the components of your pump may cause equipment damage.

Diaphragm/Ball/Seat Material	Fluid Temperature Range			
	Aluminum or Stainless Steel Pumps		Polypropylene Pumps	
	Fahrenheit	Celsius	Fahrenheit	Celsius
Acetal (AC)	10° to 180°F	-12° to 82°C	32° to 150°F	0° to 66°C
Buna-N (BN)	10° to 180°F	-12° to 82°C	32° to 150°F	0° to 66°C
FKM Fluoroelastomer (VT)*	-40° to 275°F	-40° to 135°C	32° to 150°F	0° to 66°C
Geolast® (GE)	-40° to 150°F	-40° to 66°C	32° to 150°F	0° to 66°C
Polychloroprene overmolded diaphragm (NO) or Polychloroprene check balls (NE or NW)	0° to 180°F	-18° to 82°C	32° to 150°F	0° to 66°C
Polypropylene (PP)	32° to 150°F	0° to 66°C	32° to 150°F	0° to 66°C
PTFE overmolded diaphragm (TO)	40° to 180°F	4° to 82°C	40° to 150°F	4° to 66°C
PTFE check balls or two-piece PTFE/EPDM diaphragm (TF)	40° to 220°F	4° to 104°C	40° to 150°F	4° to 66°C
Santoprene® check balls (SP)	-40° to 180°F	-40° to 82°C	32° to 150°F	0° to 66°C
TPE (HY)	-20° to 150°F	-29° to 66°C	32° to 150°F	0° to 66°C

* The maximum temperature listed is based on the ATEX standard for T4 temperature classification. If you are operating in a non-explosive environment, FKM fluoroelastomer's maximum fluid temperature in aluminum or stainless steel pumps is 320°F (160°C).



EU-DECLARATION OF CONFORMITY

EU-KONFORMITEITSVERKLARING, DÉCLARATION DE CONFORMITÉ, EU-KONFORMITÄTSERKLÄRUNG, DICHIARAZIONE DI CONFORMITÀ, UE, EU-OVERENSTEMMELSESERKLÆRING, ΔΗΛΩΣΗ ΣΥΜΜΟΡΦΩΣΗΣ, EE, DECLARAÇÃO DE CONFORMIDADE, DECLARACIÓN DE CONFORMIDAD, EU-VASTAVUUSTENMUKAISUUSVAKUUTUS, EU-FÖRBÄKRAN OM ÖVERENSTEMMELSE, EU PROHLÁŠENÍ O SHODĚ, ELI VASTAVUSDEKLARATSIOON, EU-MEGFELELŐSÉGI NYILATKOZAT, ES ATILISTÍBAS DEKLARÁCIJA, ES ΑΤΤΙΚΤΗΣ ΔΕΚΛΑΡΑΪΑ ΔΕΚΛΑΡΑΪΑ ΖΩΟΝΟΧΟΪ UE, DIKLARAZJONI TA' KONFORMITÀ TAL-UE, EU IZJAVA O SKLADNOSTI, EU VYHLÁŠENIE O ZHODE, EO ДЕКЛАРАЦІЯ ЗА ОДПОВІТСТВІЄ, DECLARAȚIA UE DE CONFORMITATE

Model

Modèle, Modell, Modello, Modello, Modelo, Modell, Model, Modells, Modelli, Modeln, Modeln, Modeln, Modeln

VERDERAIR VA-E25 Electric Double Diaphragm Pumps

Part

Bestelnr., Type, Teil, Codice, Del, Műpoc, Peça, Referencia, Osa, Součást, Részegység, Dala, Dalls, Część, Teqsim, Čast, Уаcт, Pаїт, Parte

All pumps with configuration codes:

VA-E25AX XX XX XX XX AC	VA-E25PX XX XX XX XX AC	VA-EE5SX XX XX XX XX AC
*VA-E25AX XX XX XX XX AX	VA-E25PX XX XX XX XX NG	*VA-E25SX XX XX XX XX AX
*VA-E25AX XX XX XX XX NG	VA-E25PX XX XX XX XX IG	*VA-E25SX XX XX XX XX NG
*VA-E25AX XX XX XX XX IG	VA-E25PX XX XX XX XX B2	*VA-E25SX XX XX XX XX IG
VA-E25AX XX XX XX XX B2	VA-E25PX XX XX XX XX BC	VA-E25SX XX XX XX XX B2
VA-E25AX XX XX XX XX BC		VA-E25SX XX XX XX XX BC
*VA-E25AX XX XX XX XX BX		*VA-E25SX XX XX XX XX BX

Complies With The EC Directives:

Valdoet aan de EG-Richtlijnen, Conforme aux directives CE, Entspricht den EG-Richtlinien, Conforme alle direttive CE, Overholder EF-direktivene, Edugawa ut tis Oðnyföng EK, Em conformidade com as Directivas CE, Cumple las directivas de la CE, Týmžsá EY-direktíviem vaastimukset, Uppfyller EG-direktivene, Shoda se směrnicemi ES, Vastab EU direktiividele, Kielegiti az EK irányelvek követelményeit, Atólát EK direktívám, Atónka šías ES direktívyas, Zgodność z Dyrektywami UE, Konformi mad-Direttivi tal-KE, V skladu z direktívami ES, Je v súlade so smernicami ES, Съвответност с Директивите на ЕО, Тэ аг тэачт лэ Тэорачэ ач СЕ, Respecto directivas CE, 2006/42/EC Machinery Directive, 2014/35/EU EC Low Voltage Directive, 2014/30/EC EMC Directive, 2011/65/EU RoHS Directive

*2014/34/EU ATEX Directive (Applies to configurations: VA-E25AX XX XX XX XX AX and VA-E25SX XX XX XX XX AX)

ATEX units marked with II2 G Ex, dck IIB T3 Gb

Tech File Stored with NB 0359

Standards Used:

Gebruikte maatstaven, Normes respectées, Verwendete Normen, Norme applicate, Anvendte standarder, Πρότυπα που χρησιμοποιήθηκαν, Normas utilizadas, Normas aplicadas, Sovellettavat standardit, Tillämpade standarder, Použité normy, Rakendatud standardid, Alkalmazott szabványok, Izanotote standardi, Talqiti standardi, Užyte normy, Standards Užiti, Uporabljeni standardi, Použité normy, Використані стандарти, Cağhdeđin ama n-úşđđ, Standarde utilizate

ATEX Units: EN13263-1, EN 13463-8, EN 1127-1, EN 13463-5

Notified Body for Directive

Aangemelde instantie voor richtlijn, Organisme notifié pour la directive, Benannte Stelle für diese Richtlinie, Ente certificatore della direttiva, Bemyndiget organ for direktiv, Δοκιμαστικό όργανο Οðnyföng, Organismo notificado relativamente à directive, Organismo notificado de la directiva, Direktíviem mukasesti ilmoitettu tarkastuslaitos, Anmält organ för direktivet, Úředně oznámený orgán pro směrnici, Teavitatud asutus (direktívi)rgi), Az irányelvekkel kapcsolatosan értesített testület, Plmvarotš testúde saskanš ar direktívu, Aole direktívuq informuota Institucija, Cielo powiadomione dla Dyrektywy, Korp avzat bid-Direttiva, Priglašeni organ za direktivo, Notifikovaný orgán pre smernicu, Homföduðipokl oprak za Dipektívise, Comhlađat ar tugadh fögr ad, Organism notificat în conformitate cu directive

--	--	--	--

Approved By:

Goedgekeurd door, Approvė par, Genehmigt von, Approvato da, Godkendt af, Έγκριση από, Aprovedo por, Aprobado por, Hyväksynyt, Intygas av, Schwđllt, Kinnitunud, Jővđhagyta, Apstiprinšts, Patvirtino, Zahvalozone preze, Approvat minn, Odošli, Schwđlenė, Opořeno ot, Faofa ag, Aprobat de

Werner Bosman
Managing Director

23 February 2017

VERDER BV
Leningradweg 5
9723 TP Groningen
NETHERLANDS

859.0512

C

This declaration of conformity is issued under the sole responsibility of the manufacturer. Deze conformiteitsverklaring wordt versprekt onder volledige verantwoordelijkheid van de fabrikant. La présente déclaration de conformité est établie sous la seule responsabilité du fabricant. Die alleinige Verantwortung für die Ausstellung dieser Konformitätserklärung trägt der Hersteller. La presente dichiarazione di conformità è rilasciata sotto la responsabilità esclusiva del fabbricante. Denne overensstemmelseserklæring udstedes på fabrikantens ansvar. H trapaolaa šřikuvaa ajusajuwaaq xđřđřera ut amokkaziimkř žubřřiv řov karokkaziimkř. A presente declaraçđo de conformidade é emitida sob a exclusiva responsabilidade do fabricante. La presente declaración de conformidad se expide bajo la exclusiva responsabilidad del fabricante. Tšm vštımustenmukaisuusvakuutus on annettu valmistajan yksinomaísella vastuulla. Denne försikřeren om överensstšmmelse utfärdas på tillverkarens eget ansvar. Toto prohlášeni o shodě se vydšvá na vřhradní odpovědnost vřrobc. Kšesolev vstavusdeklaratsioon on všje annud toote ainuvastutusele. Ez a megfelelségi nyilatkozatot a gyártó kizárólagos felelősége mellett adják ki. Št atilistības deklarācija ir izdota vienīgi uz ražotāja atbildību. Ši atiliktības deklarācija izdoata tik ģemintojo atsekomybe. Niniejsz deklaracja zgodności wydana zostaje na wycłagną odpowiedzialność producenta. Din id-điklarazjoni tal-konformità qleghda tinħareġ taħt l-responsabilità unika tal-manifattur. Ta izjava o skladnosti je izdana na lastno odgovornost proizvajalca. Toto vyhlášenie o zhode sa vydšvá na vřhradnú zodpovednosť vřrobcu. Насрoкuята декларация за съответствие е издадена на отоспопoчтa на проиозводителa. Prezenta declaratie de conformitate este emisă pe răspunderea exclusivă a producătorului.

Customer Services/Guarantee

CUSTOMER SERVICES

If you require spare parts, please contact your local distributor, providing the following details:

- Pump Model
- Type
- Serial Number, and
- Date of First Order.

GUARANTEE

All VERDER pumps are warranted to the original user against defects in workmanship or materials under normal use (rental use excluded) for two years after purchase date. This warranty does not cover failure of parts or components due to normal wear, damage or failure which in the judgement of VERDER arises from misuse.

Parts determined by VERDER to be defective in material or workmanship will be repaired or replaced.

LIMITATION OF LIABILITY

To the extent allowable under applicable law, VERDER's liability for consequential damages is expressly disclaimed. VERDER's liability in all events is limited and shall not exceed the purchase price.

WARRANTY DISCLAIMER

VERDER has made an effort to illustrate and describe the products in the enclosed brochure accurately; however, such illustrations and descriptions are for the sole purpose of identification and do not express or imply a warranty that the products are merchantable, or fit for a particular purpose, or that the products will necessarily conform to the illustration or descriptions.

PRODUCT SUITABILITY

Many regions, states and localities have codes and regulations governing the sale, construction, installation and/or use of products for certain purposes, which may vary from those in neighboring areas. While VERDER attempts to assure that its products comply with such codes, it cannot guarantee compliance, and cannot be responsible for how the product is installed or used. Before purchasing and using a product, please review the product application as well as the national and local codes and regulations, and be sure that product, installation, and use complies with them.

Original instructions. This manual contains English.

Revision F, March 2017

Austria

Verder Austria
Eitnergasse 21/Top 8
A-1230 Wien
AUSTRIA
Tel: +43 1 86 51 074 0
Fax: +43 1 86 51 076
e-mail: office@verder.at

Belgium

Verder nv
Kontichsesteenweg 17
B-2630 Aartselaar
BELGIUM
Tel: +32 3 877 11 12
Fax: +32 3 877 05 75
e-mail: info@verder.be

China

Verder Shanghai Instruments and Equipment Co., Ltd
Building 8 Fuhai Business Park No. 299
Bisheng Road, Zhangjiang Hiteck Park
Shanghai 201204
CHINA
Tel: +86 21 33932950
Fax: +86 21 33932955
e-mail: info@verder.cn

Bulgaria

Verder Bulgaria Ltd
Vitosh department,
Manastriski Livadi Zapad
district,
110 Bulgaria Blvd., 2-nd
Floor, apt. 15-16,
1618 - Sofia
BULGARIA
Tel: 0878407370
Fax: 02 9584085
email: office@verder.bg

Czech Republic

Verder s.r.o.
Vodnanská 651/6 (vchod
Chlumecka 15)
198 00 Praha 9-Kyje
CZECH REPUBLIC
Tel: +420 261 225 386-7
Web: <http://www.verder.cz>
e-mail: info@verder.cz

Denmark

Verder A/S
Sales Denmark
Leningradweg 5
NL 9723 TP Groningen
THE NETHERLANDS
Tel: +45 3636 4600
e-mail: info@verder.dk

France

Verder France
Parc des Bellevues,
Rue du Gros Chêne
F-95610 Eragny sur Oise
FRANCE
Tel: +33 134 64 31 11
Fax: +33 134 64 44 50
e-mail: verder-
info@verder.fr

Germany

Verder Deutschland GmbH
Retsch-Allee 1-5
42781 Haan
GERMANY
Tel: 02104/2333-200
Fax: 02104/2333-299
e-mail: info@verder.de

Hungary

Verder Hungary Kft
Budafoke ut 187 - 189
HU-1117 Budapest
HUNGARY
Tel: 0036 1 3651140
Fax: 0036 1 3725232
e-mail: info@verder.hu

India

Verder India Pumps Pvt
Ltd.
Plot No-3B, D-1 Block,
MIDC Chinchwad,
Pune - 411019
INDIA
e-mail:
Sales@verder.co.in
www.verder.co.in

Italy

Verder Italia
Via Maestri Del lavoro, 5
02100 Vazia, Rieti
ITALY
Tel: +39 07 46 229064
e-mail: info@verder.it

The Netherlands

Verder BV
Leningradweg 5
NL 9723 TP Groningen
THE NETHERLANDS
Tel: +31 50 549 59 00
Fax: +31 50 549 59 01
e-mail: info@verder.nl

Poland

Verder Polska
ul.Ligonia 8/1
PL-40 036 Katowice
POLAND
Tel: +48 32 78 15 032
Fax: +48 32 78 15 034
e-mail: verder@verder.pl

Romania

Verder România
Drumul Balta Doamnei
no 57-61
Sector 3
CP 72-117
032624 Bucuresti
ROMANIA
Tel: +40 21 335 45 92
Fax: +40 21 337 33 92
e-mail: office@verder.ro

Slovak Republik

Verder Slovakia s.r.o.
Silacska 1
SK-831 02 Bratislava
SLOVAK REPUBLIK
Tel: +421 2 4463 07 88
Fax: +421 2 4445 65 78
e-mail: info@verder.sk

South Africa

Verder SA
197 Flaming Rock Avenue
Northlands Business Park
Newmarket Street
ZA Northriding
SOUTH AFRICA
Tel: +27 11 704 7500
Fax: +27 11 704 7515
e-mail: info@verder.co.za

Switzerland

Verder Deutschland GmbH
Sales Switzerland
Retsch-Allee 1-5
D-42781 Haan
GERMANY
Tel: +41 (0)61 331 33 13
Fax: +41 (0)61 331 63 22
e-mail: info@verder.ch

United Kingdom

Verder UK Ltd.
Unit 3 California Drive
Castleford, WF10 5QH
UNITED KINGDOM
Tel: +44 (0) 1924 221 001
Fax: +44 (0) 1132 465 649
e-mail: info@verder.co.uk

United States of America

Verder Inc.
312 Corporate Parkway
Suite 101
Macon, GA 31210
USA
Tel: +1 877 783 7337
Fax: +1 478 476 9867
e-mail: sales@verder-
us.com