

INSTRUCTIONS-PARTS LIST



This manual contains important warnings and information.
READ AND RETAIN FOR REFERENCE

INSTRUCTIONS

829.4273

Rev. P

ALUMINUM, STAINLESS STEEL, AND CAST IRON

VERDERAIR VA 50 HP Air-Operated Diaphragm Pumps

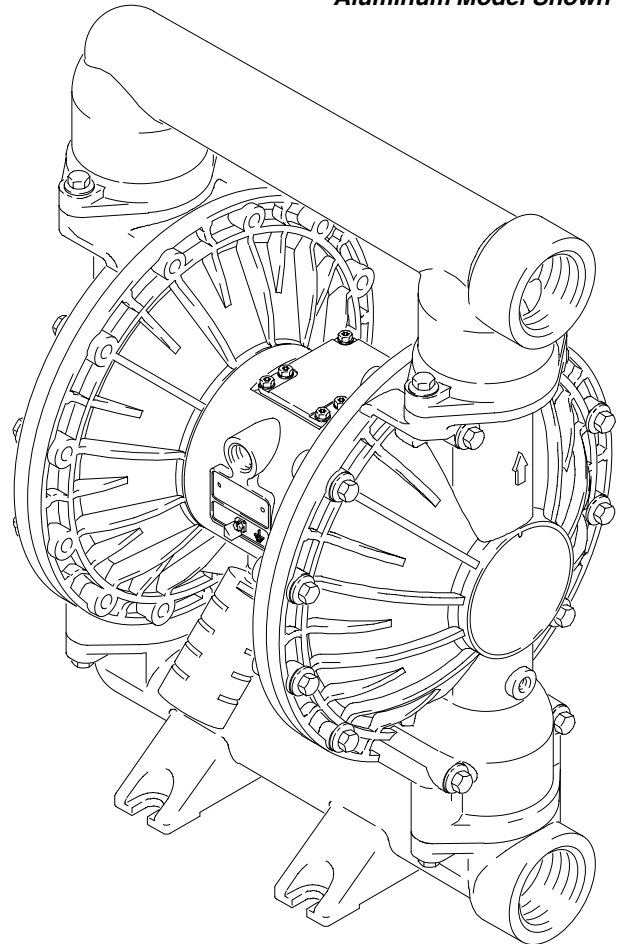
16 bar Maximum Fluid Working Pressure

8.4 bar Maximum Air Input Pressure

***NOTE:** Refer to the Pump Listing on page 22 to determine the Model No. of your pump.

Patents Pending

Aluminum Model Shown



03940B



Table of Contents

Safety Warnings	2
Installation	5
Operation	10
Maintenance	11
Troubleshooting	13
Service	
Repairing the Air Valve	14
Ball Check Valve Repair	16
Diaphragm Repair	17
Bearing and Air Gasket Removal	20
Pump Listing	22
Repair Kit Listing	24
Parts	25
Dimensions	29
Technical Data	30
Performance Chart	31
Customer Services/Guarantee	32

Symbols

Warning Symbol



This symbol alerts you to the possibility of serious injury or death if you do not follow the instructions.

Caution Symbol



This symbol alerts you to the possibility of damage to or destruction of equipment if you do not follow the instructions.

Warning



INSTRUCTIONS

EQUIPMENT MISUSE HAZARD

Any misuse of the equipment or accessories, such as overpressurizing, modifying parts, using incompatible chemicals and fluids, or using worn or damaged parts, can cause them to rupture and result in splashing in the eyes or on the skin, other serious injury, or fire, explosion, or property damage.

- This equipment is for professional use only. Observe all warnings. Read and understand all instruction manuals, warning labels, and tags before operating the equipment.
- Never alter or modify any part of this equipment; doing so could cause it to malfunction.
- Check all equipment regularly and repair or replace worn or damaged parts immediately.
- Never exceed the recommended working pressure or the maximum air inlet pressure stated on your pump or in the **Technical Data** on page 30.
- Do not exceed the maximum working pressure of the lowest rated component in your system. This equipment has an **16 bar maximum working pressure at 8.3 bar maximum incoming air pressure**.
- Be sure that all fluids and solvents used are chemically compatible with the wetted parts shown in the **Technical Data** on page 30. Always read the manufacturer's literature before using fluid or solvent in the pump.
- Never move or lift a pump under pressure. If dropped, the fluid section may rupture. Always follow the **Pressure Relief Procedure** on page 10 before moving or lifting the pump. The pump is very heavy. If it must be moved, have two people lift the pump by grasping the outlet manifold securely.


Warning

HAZARDOUS FLUIDS

Improper handling of hazardous fluids or inhaling toxic vapors can cause extremely serious injury, even death, due to splashing in the eyes, ingestion, or bodily contamination. Observe all the following precautions when handling known or potentially hazardous fluids.



- Know what fluid you are pumping and its specific hazards. Take precautions to avoid a toxic fluid spill.
- Always wear appropriate clothing and equipment, such as eye protection and breathing apparatus, to protect yourself.
- Store hazardous fluid in an appropriate, approved container. Dispose of it according to all local, state and federal guidelines for hazardous fluids.
- Secure the fluid outlet hose tightly into the receiving container to prevent it from coming loose and improperly draining the fluid.
- Pipe and dispose of the exhaust air safely, away from people, animals, and food handling areas. If the diaphragm fails, the fluid is exhausted along with the air. See **Air Exhaust Ventilation** on page 9.


FIRE AND EXPLOSION HAZARD

Static electricity is created by the flow of fluid through the pump and hose. If the equipment is not properly grounded, sparking may occur. Sparks can ignite fumes from solvents and the fluid being pumped, dust particles and other flammable substances, whether you are pumping indoors or outdoors, and can cause a fire or explosion and serious injury and property damage.



- To reduce the risk of static sparking, ground the pump and all other equipment used or located in the work area. Check your local electrical code for detailed grounding instructions for your area and type of equipment. Refer to **Grounding** on page 5.
- If you experience any static sparking or even a slight shock while using this equipment, **stop pumping immediately**. Check the entire system for proper grounding. Do not use the system again until the problem has been identified and corrected.
- Pipe and dispose of the exhaust air safely, away from all sources of ignition. If the diaphragm fails, the fluid is exhausted along with the air. See **Air Exhaust Ventilation** on page 9.
- Do not smoke in the work area. Do not operate the equipment near a source of ignition or an open flame, such as a pilot light.


HALOGENATED HYDROCARBON HAZARD

Never use 1,1,1-trichloroethane, methylene chloride, other halogenated hydrocarbon solvents or fluids containing such solvents in Aluminum Pumps. Such use could result in a serious chemical reaction, with the possibility of explosion, which could cause death, serious injury, and/or substantial property damage.

Consult your fluid suppliers to ensure that the fluids used are compatible with aluminum parts.

Installation

General Information

1. The Typical Installation shown in Fig. 2 is only a guide for selecting and installing system components. Contact your VERDER Customer Service for assistance in planning a system to suit your needs.
2. Always use Genuine VERDER Parts and Accessories.
3. Reference numbers and letters in parentheses refer to the callouts in the figures and the parts lists on pages 25–26.

Warning

HAZARDOUS FLUIDS



To reduce the risk of serious injury, splashing in the eyes or on the skin, and toxic fluid spills, **never** move or lift a pump under pressure. If dropped, the fluid section may rupture. Always follow the **Pressure Relief Procedure Warning** on page 10 before moving or lifting the pump.

4. The pump is very heavy. If it must be moved, have two people lift the pump by grasping the outlet manifold (103) securely. See Fig. 3 on page 8.

Tightening Screws Before First Use

After unpacking the pump, and before using it for the first time, check and retorque external fasteners. Retorque the fluid covers first, then the manifold screws. This keeps the manifolds from interfering with tightening the fluid covers. See the **Service** section for torque specifications. After the first day of operation, check and retorque the fasteners again. Although the recommended frequency for retorquing of fasteners varies with pump usage, a general guideline is to retorque fasteners every two months.

Grounding

Warning

FIRE AND EXPLOSION HAZARD



This pump must be grounded. Before operating the pump, ground the system as explained below. Also, read the section **FIRE AND EXPLOSION HAZARD**, on page 3.



To reduce the risk of static sparking, ground the pump and all other equipment used or located in the pumping area. Check your local electrical code for detailed grounding instructions for your area and type of equipment.

Ground all of this equipment.

- **Pump:** Connect a ground wire and clamp as shown in Fig. 1. Loosen the grounding screw (W). Insert one end of a 1.5 mm² minimum ground wire (Y) behind the grounding screw and tighten the screw securely. Connect the clamp end of the ground wire to a true earth ground. Order Part No. 819.0157 Ground Wire and Clamp.

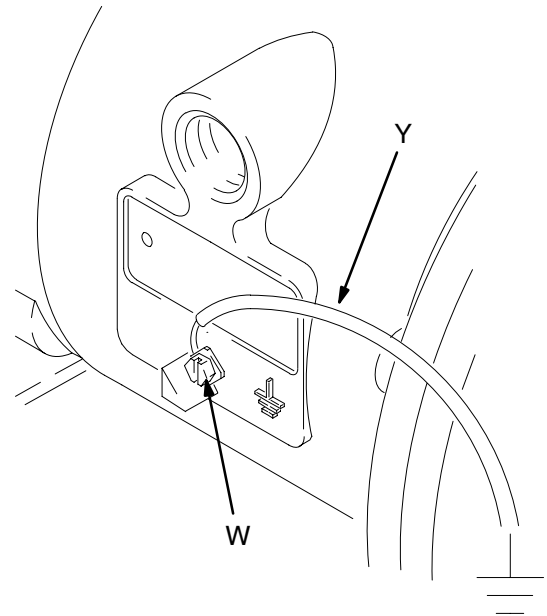


Fig. 1

02646B

- **Air and fluid hoses:** Use only grounded hoses with a maximum of 150 m combined hose length to ensure grounding continuity.
- **Air compressor:** Follow the manufacturer's recommendations.
- **All solvent pails used when flushing,** according to local code. Use only metal pails, which are conductive. Do not place the pail on a non-conductive surface, such as paper or cardboard, which interrupts the grounding continuity.
- **Fluid supply container:** Follow the local code.

Installation

Mountings

Caution

The pump exhaust air may contain contaminants. Ventilate to a remote area if the contaminants could affect your fluid supply. See Air Exhaust Ventilation on page 9.

1. Be sure the mounting surface can support the weight of the pump, hoses, and accessories, as well as the stress caused during operation.
2. For all mountings, be sure the pump is bolted directly to the mounting surface.
3. For ease of operation and service, mount the pump so the air valve cover (2), air inlet, and fluid inlet and outlet ports are easily accessible.
4. Rubber Foot Mounting Kit 819.4332 is available to reduce noise and vibration during operation.

Air Line

Warning

A bleed-type master air valve (B) is required in your system to relieve air trapped between this valve and the pump. Trapped air can cause the pump to cycle unexpectedly, which could result in serious injury, including splashing in the eyes or on the skin, injury from moving parts, or contamination from hazardous fluids. See Fig. 2.

1. Install the air line accessories as shown in Fig. 2. Mount these accessories on the wall or on a bracket. Be sure the air line supplying the accessories is grounded.
 - a. Install an air regulator (C) and gauge to control the fluid pressure. The fluid outlet pressure will be the same as the setting of the air regulator.
 - b. Locate one bleed-type master air valve (B) close to the pump and use it to relieve trapped air. See the **Warning** above. Locate the other master air valve (E) upstream from all air line accessories and use it to isolate them during cleaning and repair.
 - c. The air line filter (F) removes harmful dirt and moisture from the compressed air supply.

2. Install a grounded, flexible air hose (A) between the accessories and the 1/2 bspt pump air inlet (N). See Fig. 2. Use a minimum 13 mm ID air hose. Screw an air line quick disconnect coupler (D) onto the end of the air hose (A), and screw the mating fitting into the pump air inlet snugly. Do not connect the coupler (D) to the fitting until you are ready to operate the pump.

Fluid Suction Line

1. **Use grounded fluid hoses (G).** The pump fluid inlet (R) is 2 in. bspt. Screw the fluid fitting into the pump inlet securely.
2. If the fluid inlet pressure to the pump is more than 25% of the outlet working pressure, the ball check valves will not close fast enough, resulting in inefficient pump operation.
3. At inlet fluid pressures greater than 1.05 bar, diaphragm life will be shortened.
4. See the **Technical Data** on page 30 for maximum suction lift (wet and dry).

Fluid Outlet Line

Warning

A fluid drain valve (J) is required to relieve pressure in the hose if it is plugged. The drain valve reduces the risk of serious injury, including splashing in the eyes or on the skin, or contamination from hazardous fluids when relieving pressure. Install the valve close to the pump fluid outlet. See Fig. 2.

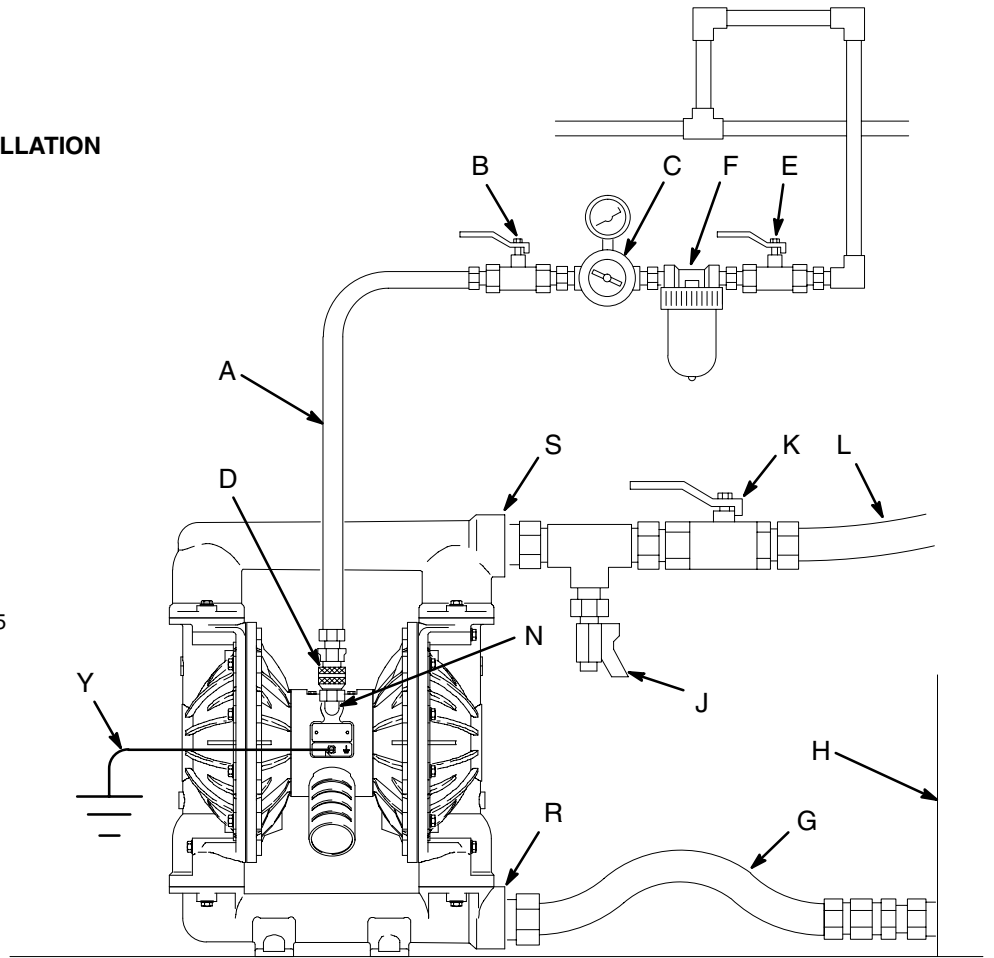
1. **Use grounded fluid hoses (L).** The pump fluid outlet (S) is 2 in. bspt. Screw the fluid fitting into the pump outlet securely.
2. Install a fluid drain valve (J) near the fluid outlet. See the **Warning** above.
3. Install a shutoff valve (K) in the fluid outlet line.

Installation

FLOOR MOUNT TYPICAL INSTALLATION

KEY FOR FIG. 2

- A Air Supply Hose
- B Bleed-Type Master Air Valve (required for pump)
- C Air Regulator
- D Air Line Quick Disconnect
- E Master Air Valve (for accessories)
- F Air Line Filter
- G Fluid Suction Hose
- H Fluid Supply
- J Fluid Drain Valve (required)
- K Fluid Shutoff Valve
- L Fluid Hose
- N 1/2 npt(f) Air Inlet Port
- R 2 in. bspt Fluid Inlet Port
- S 2 in. bspt Fluid Outlet Port
- Y Ground Wire (required; see page 5 for installation instructions)



03943B

Fig. 2

Installation

Changing the Orientation of the Fluid Inlet and Outlet Ports

The pump is shipped with the fluid inlet (R) and outlet (S) ports facing the same direction. See Fig. 3. To change the orientation of the inlet and/or outlet port:

1. Remove the screws (106) holding the inlet (102) and/or outlet (103) manifold to the covers (101).
2. Reverse the manifold and reattach. Install the screws and torque to 14–17 N•m.

KEY

N	1/2 npt(f) Air Inlet Port	102	Fluid Inlet Manifold
P	Muffler; Air Exhaust Port is 3/4 npt(f)	103	Fluid Outlet Manifold
R	2 in. bspt Fluid Inlet Port	106	Manifold and Cover Screws
S	2 in. bspt Fluid Outlet Port	112	Cover Screws (Top and Bottom)
101	Covers		

1 Torque to 4–17 N•m.

2 Torque to 22–25 N•m.

Aluminum Model Shown

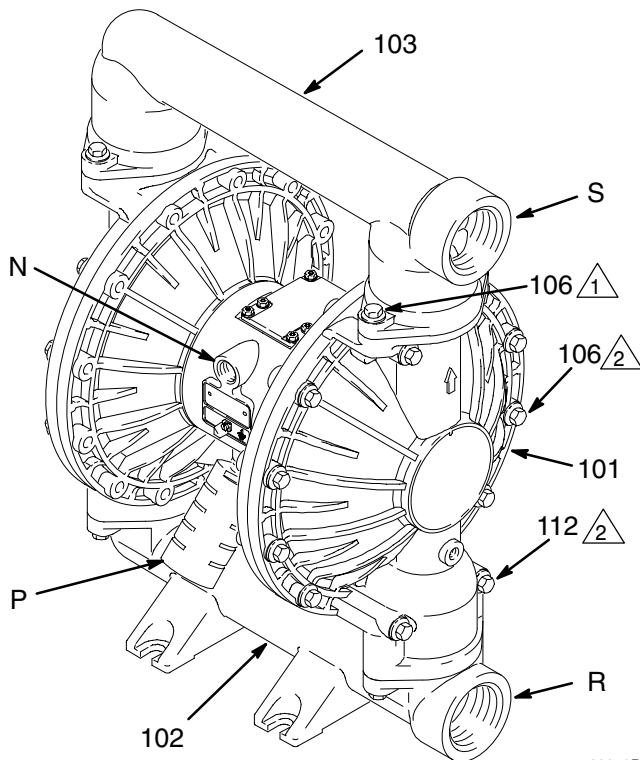


Fig. 3

03940B

Fluid Pressure Relief Valve

⚠ Caution

Some systems may require installation of a pressure relief valve at the pump outlet to prevent overpressurization and rupture of the pump or hose. See Fig. 4.

Thermal expansion of fluid in the outlet line can cause overpressurization. This can occur when using long fluid lines exposed to sunlight or ambient heat, or when pumping from a cool to a warm area (for example, from an underground tank).

Overpressurization can also occur if the **VERDERAIR** pump is being used to feed fluid to a piston pump, and the intake valve of the piston pump does not close, causing fluid to back up in the outlet line.

KEY

R	2 in. bspt Fluid Inlet Port
S	2 in. bspt Fluid Outlet Port
V	Pressure Relief Valve Part No. 819.0158 (Aluminum) Part No. 819.119 (Stainless Steel)

1 Install valve between fluid inlet and outlet ports.

2 Connect fluid inlet line here.

3 Connect fluid outlet line here.

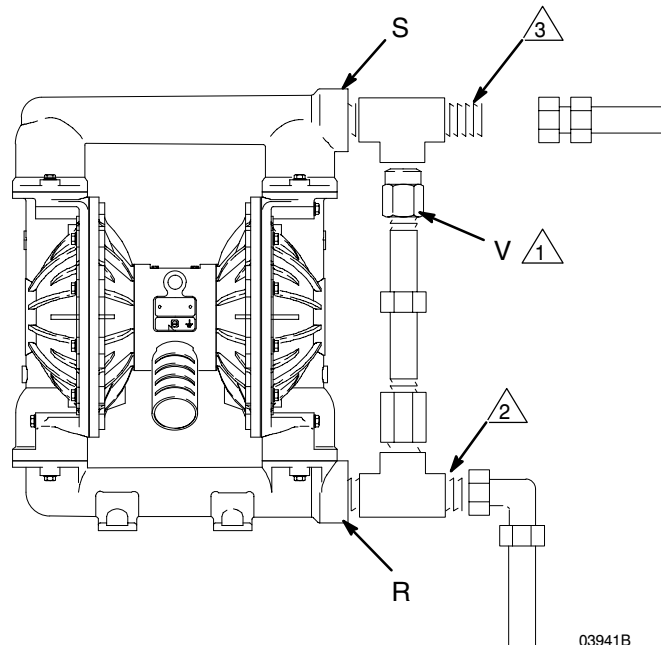


Fig. 4

03941B

Installation

Air Exhaust Ventilation

Warning



FIRE AND EXPLOSION HAZARD; HAZARDOUS FLUIDS

Be sure to read and follow the warnings and precautions regarding **HAZARDOUS FLUIDS**, and **FIRE OR EXPLOSION HAZARD** on page 3, before operating this pump.



Be sure the system is properly ventilated for your type of installation. You must vent the exhaust to a safe place, away from people, animals, food handling areas, and all sources of ignition when pumping flammable or hazardous fluids.



Diaphragm failure will cause the fluid being pumped to exhaust with the air. Place an appropriate container at the end of the air exhaust line to catch the fluid. See Fig. 5.

The air exhaust port is 3/4 npt(f). Do not restrict the air exhaust port. Excessive exhaust restriction can cause erratic pump operation.

To provide a remote exhaust:

1. Remove the muffler (P) from the pump air exhaust port.
2. Install a grounded air exhaust hose (T) and connect the muffler (P) to the other end of the hose. The minimum size for the air exhaust hose is 19 mm ID. If a hose longer than 4.57 m is required, use a larger diameter hose. Avoid sharp bends or kinks in the hose. See Fig. 5.
3. Place a container (U) at the end of the air exhaust line to catch fluid in case a diaphragm ruptures.

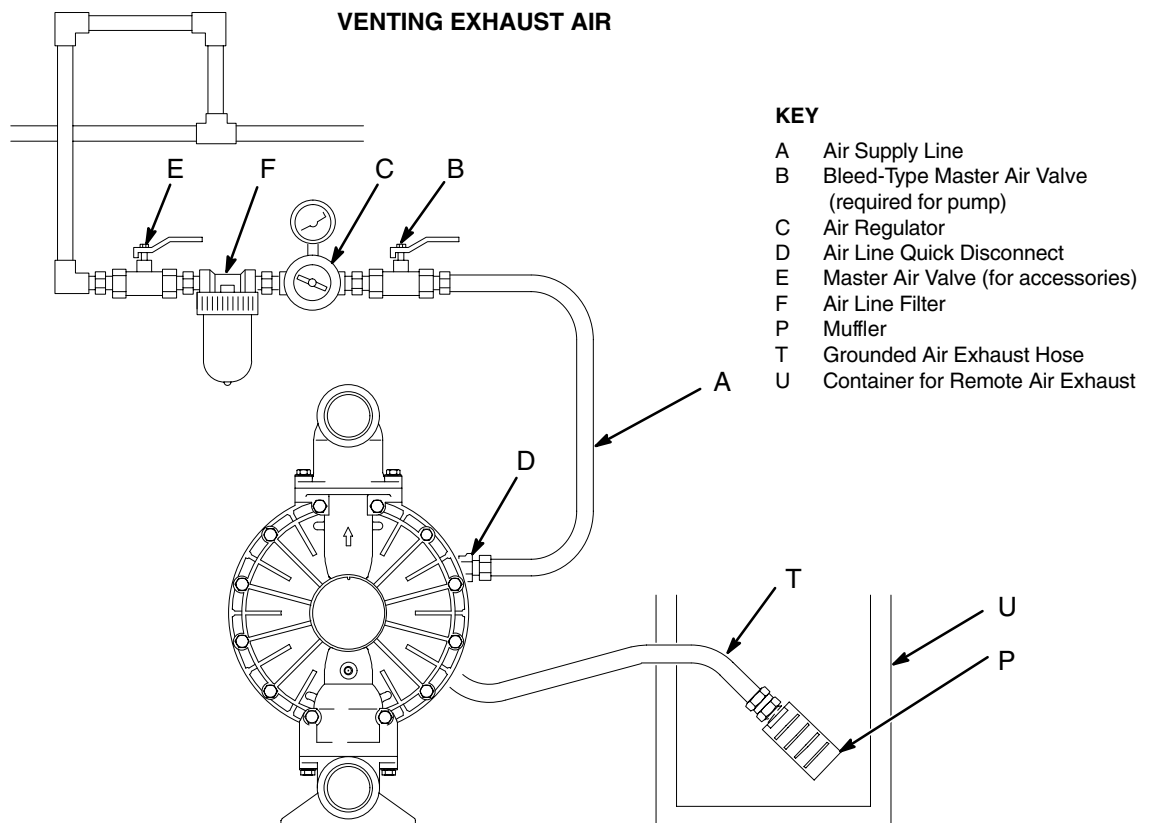


Fig. 5

03942

Operation

Flush the Pump Before First Use

The pump was tested in water. If the water could contaminate the fluid you are pumping, flush the pump thoroughly with a compatible solvent. Follow the steps under **Starting and Adjusting the Pump**.

Starting and Adjusting the Pump

Warning



HAZARDOUS FLUIDS

To reduce the risk of serious injury, splashing in the eyes or on the skin, and toxic fluid spills, **never** move or lift a pump under pressure. If dropped, the fluid section may

rupture. Always follow the **Pressure Relief Procedure Warning** at right before moving or lifting the pump.

1. Be sure the pump is properly grounded. Refer to **Grounding** on page 5.
2. Check all fittings to be sure they are tight. Be sure to use a compatible liquid thread sealant on all male threads. Tighten the fluid inlet and outlet fittings securely.
3. Place the suction tube (if used) in the fluid to be pumped.

NOTE: If the fluid inlet pressure to the pump is more than 25% of the outlet working pressure, the ball check valves will not close fast enough, resulting in inefficient pump operation.

4. Place the end of the fluid hose (L) into an appropriate container.
5. Close the fluid drain valve (J). See Fig. 2.

6. With the pump air regulator (C) closed, open all bleed-type master air valves (B, E).
7. If the fluid hose has a dispensing device, hold it open while continuing with the following step.
8. Slowly open the air regulator (C) until the pump starts to cycle. Allow the pump to cycle slowly until all air is pushed out of the lines and the pump is primed.

If you are flushing, run the pump long enough to thoroughly clean the pump and hoses. Close the air regulator. Remove the suction tube from the solvent and place it in the fluid to be pumped.

Pump Shutdown

At the end of the work shift and before checking, adjusting, cleaning or repairing the system, follow the **Pressure Relief Procedure Warning** below.

Pressure Relief Procedure

Warning

To reduce the risk of serious injury, including splashing fluid in the eyes or on the skin, follow this procedure when this manual instructs you to relieve pressure, when you shut off the pump, and before checking, adjusting, cleaning, moving, or repairing any system equipment.

1. Shut off the air to the pump.
2. Open the dispensing valve, if used.
3. Open the fluid drain valve to relieve all fluid pressure, having a container ready to catch the drainage.

Maintenance

Lubrication

The air valve is designed to operate unlubricated, however if lubrication is desired, every 500 hours of operation (or monthly) remove the hose from the pump air inlet and add two drops of machine oil to the air inlet.

 **Caution**

Do not over-lubricate the pump. Oil is exhausted through the muffler, which could contaminate your fluid supply or other equipment. Excessive lubrication can also cause the pump to malfunction.

Flushing and Storage

Flush the pump often enough to prevent the fluid you are pumping from drying or freezing in the pump and damaging it. Always flush the pump and follow the **Pressure Relief Procedure Warning** on page 10 before storing it for any length of time. Use a compatible solvent.

Tightening Threaded Connections

Before each use, check all hoses for wear or damage, and replace as necessary. Check to be sure all threaded connections are tight and leak-free. Check and retorque all threaded connections at least once every two months. Retorque the fluid covers first, then the manifold screws.

The recommended frequency for retorquing of fasteners varies with pump usage, a general guideline is to retorque every two months.

Preventive Maintenance Schedule

Establish a preventive maintenance schedule, based on the pump's service history. This is especially important for prevention of spills or leakage due to diaphragm failure.

Troubleshooting

Warning

To reduce the risk of serious injury, including splashing fluid in the eyes or on the skin, follow the **Pressure Relief Procedure** on page 10 when this manual instructs you to relieve pressure, when you shut off the pump, and before checking, adjusting, cleaning, moving, or repairing any system equipment.

NOTE: Check all possible problems and causes before disassembling the pump.

PROBLEM	CAUSE	SOLUTION
Pump cycles at stall or fails to hold pressure at stall.	Worn check valve balls (301), seats (201) or o-rings (202).	Replace. See page 16.
Pump will not cycle, or cycles once and stops.	Air valve is stuck or dirty.	Disassemble and clean air valve. See pages 14–15. Use filtered air.
	Check valve ball (301) severely worn and wedged in seat (201) or manifold (102 or 103).	Replace ball and seat. See page 16.
	Check valve ball (301) is wedged into seat (201), due to overpressurization.	Install Pressure Relief Valve (see page 8).
	Dispensing valve clogged.	Relieve pressure and clear valve.
Pump operates erratically.	Clogged suction line.	Inspect; clear.
	Sticky or leaking check valve balls (301).	Clean or replace. See page 16.
	Diaphragm ruptured.	Replace. See pages 17–19.
	Restricted exhaust.	Remove restriction.
Air bubbles in fluid.	Suction line is loose.	Tighten.
	Diaphragm ruptured.	Replace. See pages 17–19.
	Loose inlet manifold (102), damaged seal between manifold and seat (201), or damaged o-rings (202).	Tighten manifold bolts (106) or replace seats (201) or o-rings (202). See page 16.
	Loose diaphragm shaft bolt (107).	Tighten or replace. See pages 17–19.
	Damaged o-ring (108).	Replace. See pages 17–19.
Fluid in exhaust air.	Diaphragm ruptured.	Replace. See pages 17–19.
	Loose diaphragm shaft bolt (107).	Tighten or replace. See pages 17–19.
	Damaged o-ring (108).	Replace. See pages 17–19.
Pump exhausts excessive air at stall.	Worn air valve block (7), o-ring (6), plate (8), pilot block (18), u-cups (10), or pilot pin o-rings (17).	Repair or replace. See pages 14–15.
	Worn shaft seals (402).	Replace. See pages 17–19.
Pump leaks air externally.	Air valve cover (2) or air valve cover screws (3) are loose.	Tighten screws. See page 15.
	Air valve gasket (4) or air cover gasket (22) is damaged.	Inspect; replace. See pages 14–15, 20–21.
	Air cover screws (3) are loose.	Tighten screws. See pages 20–21.
Pump leaks fluid externally from ball check valves.	Loose manifolds (102, 103), damaged seal between manifold and seat (201), or damaged o-rings (202).	Tighten manifold bolts (106) or replace seats (201) or o-rings (202). See page 16.

Service

Repairing the Air Valve

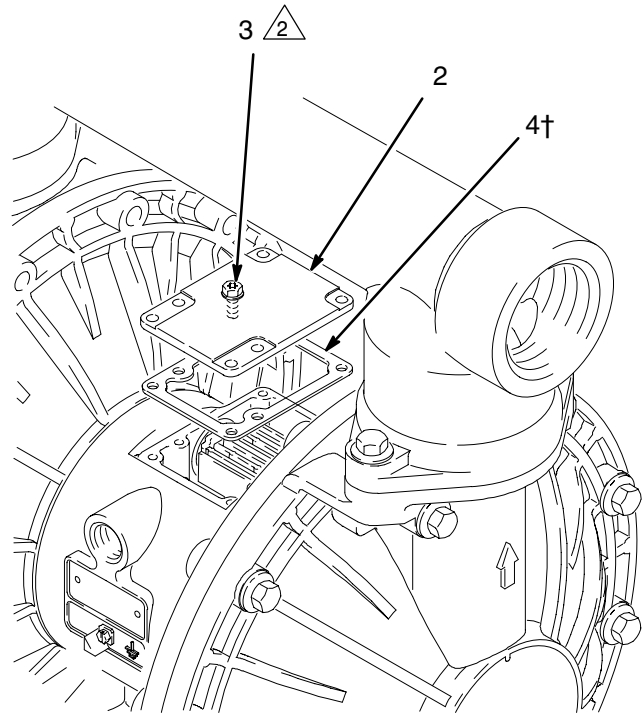
Tools Required

- Torque wrench
- Torx (T20) screwdriver or 7 mm socket wrench
- Needle-nose pliers
- O-ring pick
- Lithium base grease

NOTE: Air Valve Repair Kit 819.4274 is available. Refer to page 25. Parts included in the kit are marked with a symbol, for example (3). Use all the parts in the kit for the best results.

Disassembly

1. Follow the **Pressure Relief Procedure Warning** on page 10.
2. With a Torx (T20) screwdriver or 7 mm socket wrench, remove the six screws (3), air valve cover (2), and gasket (4). See Fig. 6.
3. Move the valve carriage (5) to the center position and pull it out of the cavity. Remove the valve block (7) and o-ring (6) from the carriage. Using a needle-nose pliers, pull the pilot block (18) straight up and out of the cavity. See Fig. 7.
4. Pull the two actuator pistons (11) out of the bearings (12). Remove the u-cup packings (10) from the pistons. Pull the pilot pins (16) out of the bearings (15). Remove the o-rings (17) from the pilot pins. See Fig. 8.
5. Inspect the valve plate (8) in place. If damaged, use a Torx (T20) screwdriver or 7 mm socket wrench to remove the three screws (3). Remove the valve plate (8) and seal (9). See Fig. 9.
6. Inspect the bearings (12, 15) in place. See Fig. 8. The bearings are tapered and, if damaged, must be removed from the outside. This requires disassembly of the fluid section. See page 20.
7. Clean all parts and inspect for wear or damage. Replace as needed. Reassemble as explained on page 15.




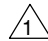
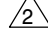
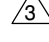
 Torque to 5.6–6.8 N·m.

Fig. 6

03944B

-  See Detail at right.
-  Grease.
-  Grease lower face.

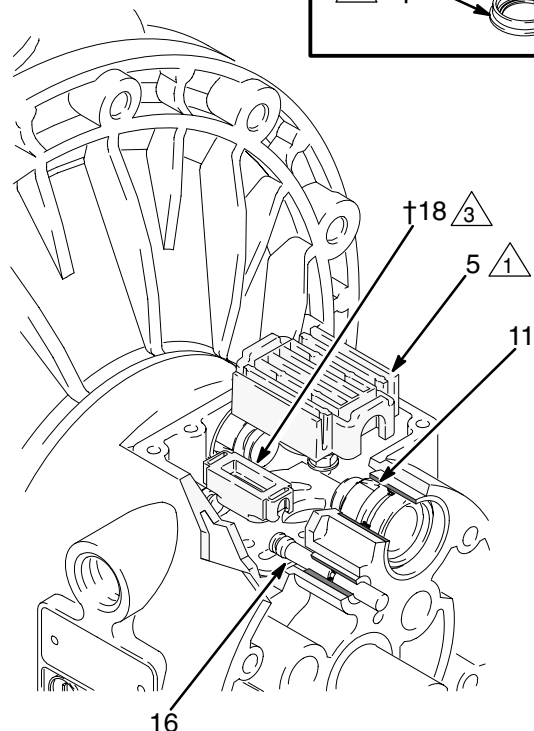
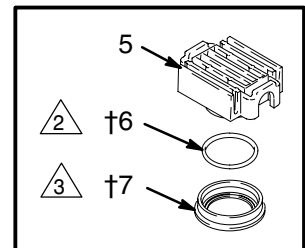


Fig. 7

03945B

Service

- △1 Insert narrow end first.
- △2 Grease.
- △3 Install with lips facing narrow end of piston (11).
- △4 Insert wide end first.

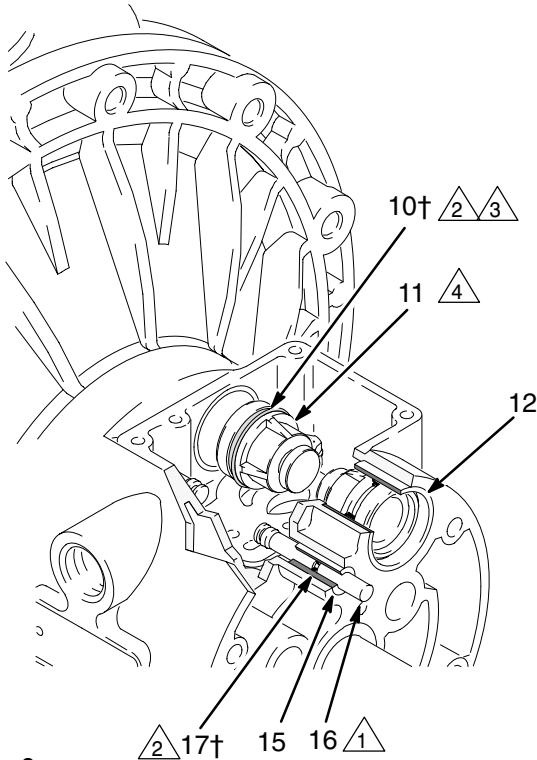


Fig. 8

03946B

- △1 Rounded side must face down.
- △2 Tighten screws until they bottom out on the housing.

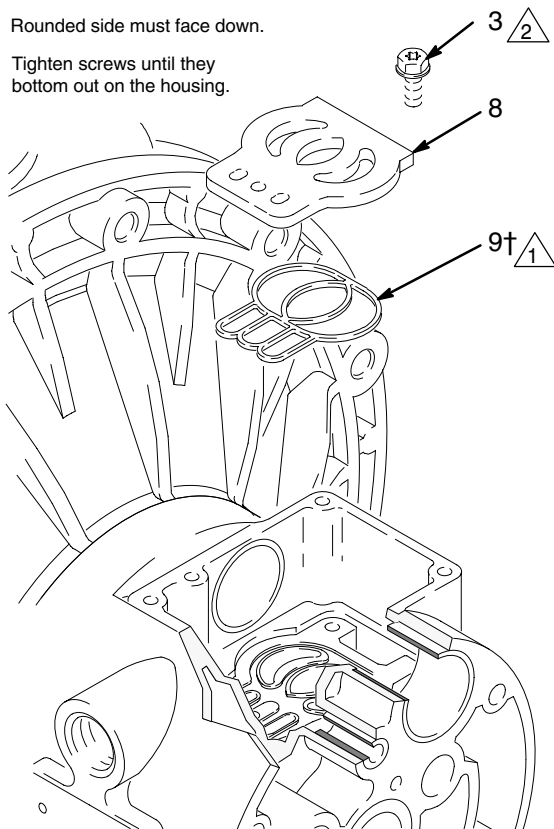


Fig. 9

03947

Reassembly

1. If you removed the bearings (12, 15), install new ones as explained on page 20. Reassemble the fluid section.
2. Install the valve plate seal (9†) into the groove at the bottom of the valve cavity. The rounded side of the seal **must face down** into the groove. See Fig. 9.
3. Install the valve plate (8) in the cavity. The plate is reversible, so either side can face up. Install the three screws (3), using a Torx (T20) screwdriver or 7 mm socket wrench. Tighten until the screws bottom out on the housing. See Fig. 9.
4. Install an o-ring (17†) on each pilot pin (16). Grease the pins and o-rings. Insert the pins into the bearings (15), **narrow** end first. See Fig. 8.
5. Install a u-cup packing (10†) on each actuator piston (11), so the lips of the packings face the **narrow** end of the pistons. See Fig. 8.
6. Lubricate the u-cup packings (10†) and actuator pistons (11). Insert the actuator pistons in the bearings (12), **wide** end first. Leave the narrow end of the pistons exposed. See Fig. 8.
7. Grease the lower face of the pilot block (18†) and install so its tabs snap into the grooves on the ends of the pilot pins (16). See Fig. 7.
8. Grease the o-ring (6†) and install it in the valve block (7†). Push the block onto the valve carriage (5). Grease the lower face of the valve block. See Fig. 7.
9. Install the valve carriage (5) so its tabs slip into the grooves on the narrow end of the actuator pistons (11). See Fig. 7.
10. Align the valve gasket (4†) and cover (2) with the six holes in the center housing (1). Secure with six screws (3), using a Torx (T20) screwdriver or 7 mm socket wrench. Torque to 5.6–6.8 N•m. See Fig. 6.

Service

Ball Check Valve Repair

Tools Required

- Torque wrench
- 10 mm socket wrench
- O-ring pick

Disassembly

NOTE: A Fluid Section Repair Kit is available. Refer to page 24 to order the correct kit for your pump. Parts included in the kit are marked with an asterisk, for example (201*). Use all the parts in the kit for the best results.

NOTE: To ensure proper seating of the balls (301), always replace the seats (201) when replacing the balls.

NOTE: (Extension Version) To ensure proper sealing of extension (115), always replace o-rings (116) when replacing balls.

1. Follow the **Pressure Relief Procedure Warning** on page 10. Disconnect all hoses.
2. Remove the pump from its mounting.
3. Using a 10 mm socket wrench, remove the four bolts (106) holding the outlet manifold (103) to the fluid covers (101). See Fig 10.
4. Remove the seats (201), balls (301), and o-rings (202) from the manifold.

NOTE: Some models do not use o-rings (202).

5. Turn the pump over and remove the inlet manifold (102). Remove the seats (201), balls (301), and o-rings (202) from the fluid covers (101).

Reassembly

1. Clean all parts and inspect for wear or damage. Replace parts as needed.
2. Reassemble in the reverse order, following all notes in Fig. 10. Be sure the ball checks are assembled **exactly** as shown. The arrows (A) on the fluid covers (101) **must** point toward the outlet manifold (103).

1. Apply medium-strength (blue) Loctite® or equivalent to the threads. Torque to 120 to 150 in-lb (14 to 17 N.m).
2. Arrow (A) must point toward outlet manifold (103).
3. Not used on some models.
4. Beveled seating surface must face ball (301).
5. Used on stainless steel model only.

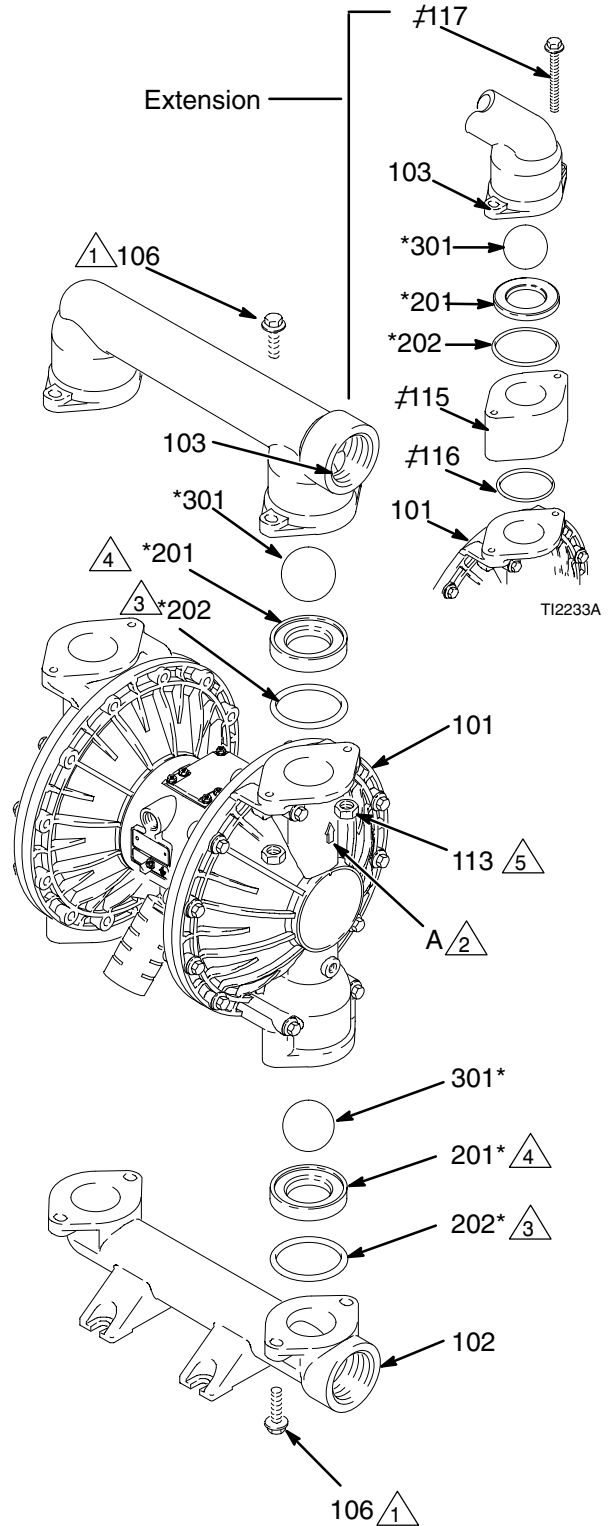


Fig. 10

TI0352B

Service

Diaphragm Repair

Tools Required

- Torque wrench
- 10 mm socket wrench
- 13 mm socket wrench
- 15 mm socket wrench (aluminum models) or 1 in. socket wrench (stainless steel models)
- 19 mm socket wrench
- O-ring pick
- Lithium-base grease

Disassembly

NOTE: A Fluid Section Repair Kit is available. Refer to page 24 to order the correct kit for your pump. Parts included in the kit are marked with an asterisk, for example (401*). Use all the parts in the kit for the best results.

1. Follow the **Pressure Relief Procedure Warning** on page 10.
2. Remove the manifolds and disassemble the ball check valves as explained on page 16.
3. Using 10 and 13 mm socket wrenches, remove the screws (106 and 112) holding the fluid covers (101) to the air covers (23). Pull the fluid covers (101) off the pump. See Fig. 11.

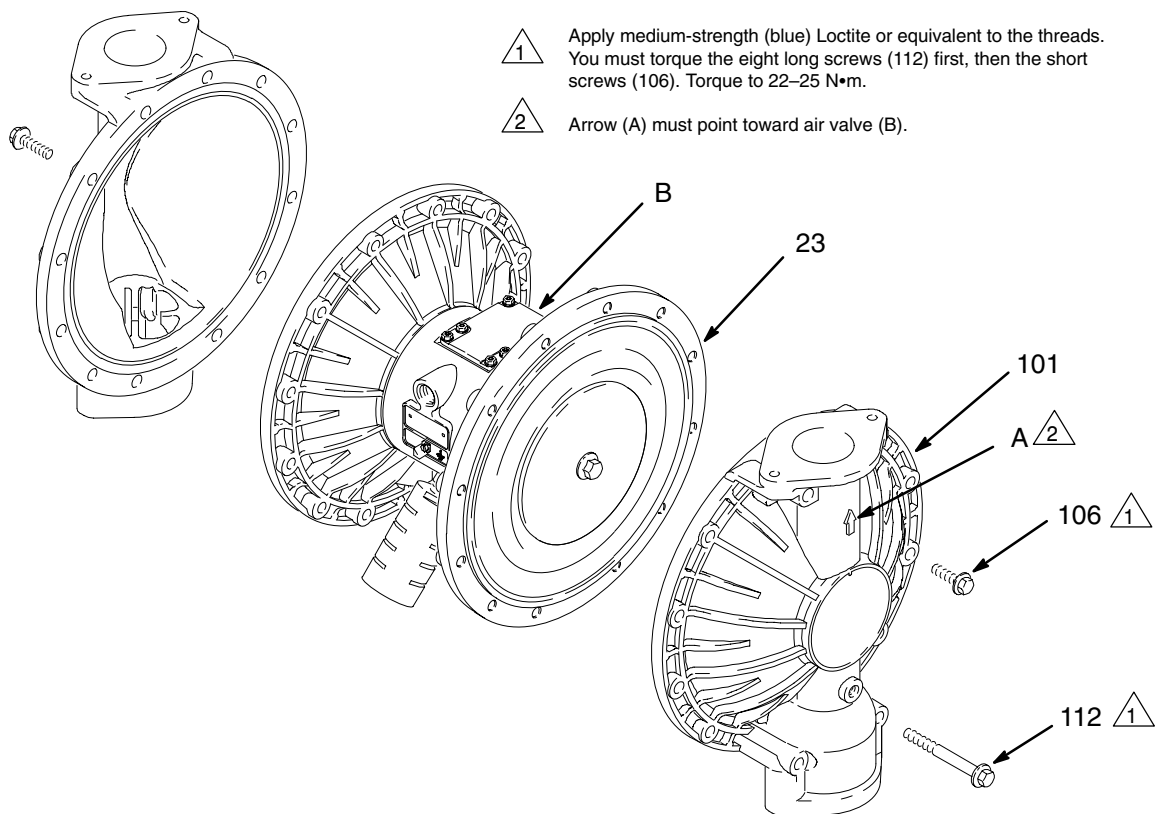


Fig. 11

03949B

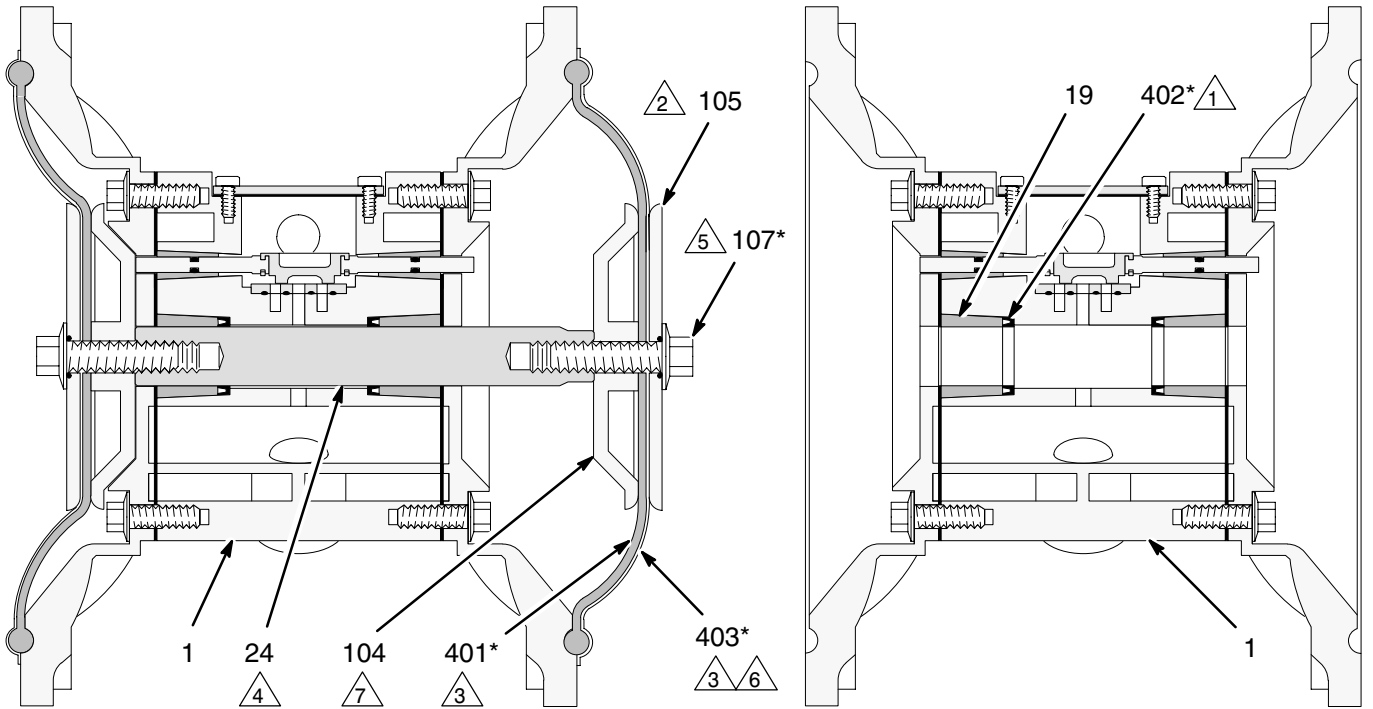
Service

4. Loosen but do not remove the diaphragm shaft bolts (107), using a 15 mm socket wrench (1 in. on stainless steel models) on both bolts.
5. Unscrew one bolt from the diaphragm shaft (24) and remove the o-ring (108), fluid side diaphragm plate (105), PTFE diaphragm (403, *used on PTFE Models only*), diaphragm (401), and air side diaphragm plate (104). See Fig. 12.
6. Pull the other diaphragm assembly and the diaphragm shaft (24) out of the center housing (1). Hold the shaft flats with a 19 mm socket wrench, and remove the bolt (107) from the shaft. Disassemble the remaining diaphragm assembly.
7. Inspect the diaphragm shaft (24) for wear or scratches. If it is damaged, inspect the bearings (19) in place. If the bearings are damaged, refer to page 20.
8. Reach into the center housing (1) with an o-ring pick and hook the u-cup packings (402), then pull them out of the housing. This can be done with the bearings (19) in place.
9. Clean all parts and inspect for wear or damage. Replace parts as needed.
- b. Install the fluid side diaphragm plate (105) on the bolt so the rounded side faces in, toward the diaphragm (401).
- c. *On PTFE Models only*, install the PTFE diaphragm (403*). Make certain the side marked AIR SIDE faces the center housing (1).
- d. Install the diaphragm (401*) on the bolt. Make certain the side marked AIR SIDE faces the center housing (1).
- e. Install the air side diaphragm plate (104) so the recessed side faces the diaphragm (401).
- f. Apply medium-strength (blue) Loctite® or equivalent to the bolt (107) threads. Screw the bolt (107) into the shaft (24) hand tight.
3. Grease the length and ends of the diaphragm shaft (24), and slide it through the housing (1).
4. Assemble the other diaphragm assembly to the shaft as explained in step 2.
5. Hold one shaft bolt (107) with a wrench and torque the other bolt to 27–34 N•m at 100 rpm maximum.
6. Align the fluid covers (101) and the center housing (1) so the arrows (A) on the covers face the same direction as the air valve (B). Secure the covers with the screws (106 and 112), handtight. Install the longer screws (112) in the top and bottom holes of the covers. See Fig. 11.

Reassembly

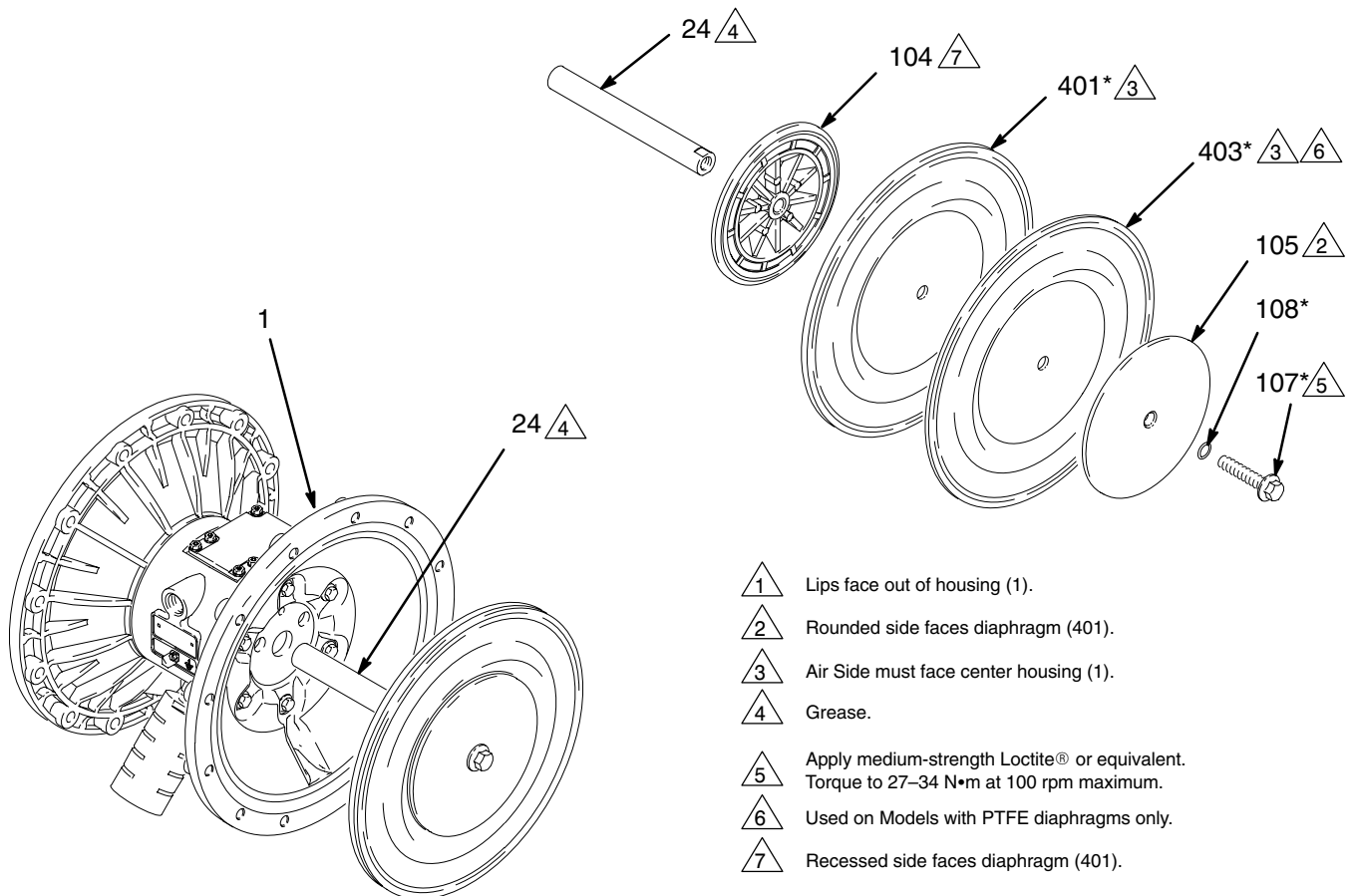
1. Install the shaft u-cup packings (402*) so the lips face **out** of the housing (1). Lubricate the packings. See Fig. 12.
2. Install the diaphragm assembly on one end of the shaft (24) as follows:
 - a. Install the o-ring (108*) on the shaft bolt (107).
7. First, torque the longer screws (112) oppositely and evenly to 22–25 N•m, using a 13 mm socket wrench. Then torque the shorter screws (106), using a 10 mm socket wrench.
8. Reassemble the ball check valves and manifolds as explained on page 16.

Service



Cutaway View, with Diaphragms in Place

Cutaway View, with Diaphragms Removed



- ▲ 1 Lips face out of housing (1).
- ▲ 2 Rounded side faces diaphragm (401).
- ▲ 3 Air Side must face center housing (1).
- ▲ 4 Grease.
- ▲ 5 Apply medium-strength Loctite® or equivalent. Torque to 27–34 N•m at 100 rpm maximum.
- ▲ 6 Used on Models with PTFE diaphragms only.
- ▲ 7 Recessed side faces diaphragm (401).

Fig. 12

Service

Bearing and Air Gasket Removal

Tools Required

- Torque wrench
- 10 mm socket wrench
- Bearing puller
- O-ring pick
- Press, or block and mallet

Disassembly

NOTE: Do not remove undamaged bearings.

1. Follow the **Pressure Relief Procedure Warning** on page 10.
2. Remove the manifolds and disassemble the ball check valves as explained on page 16.
3. Remove the fluid covers and diaphragm assemblies as explained on page 17.

NOTE: If you are removing only the diaphragm shaft bearing (19), skip step 4.

4. Disassemble the air valve as explained on page 14.
5. Using a 10 mm socket wrench, remove the screws (25) holding the air covers (23) to the center housing (1). See Fig. 13.
6. Remove the air cover gaskets (22). Always replace the gaskets with new ones.

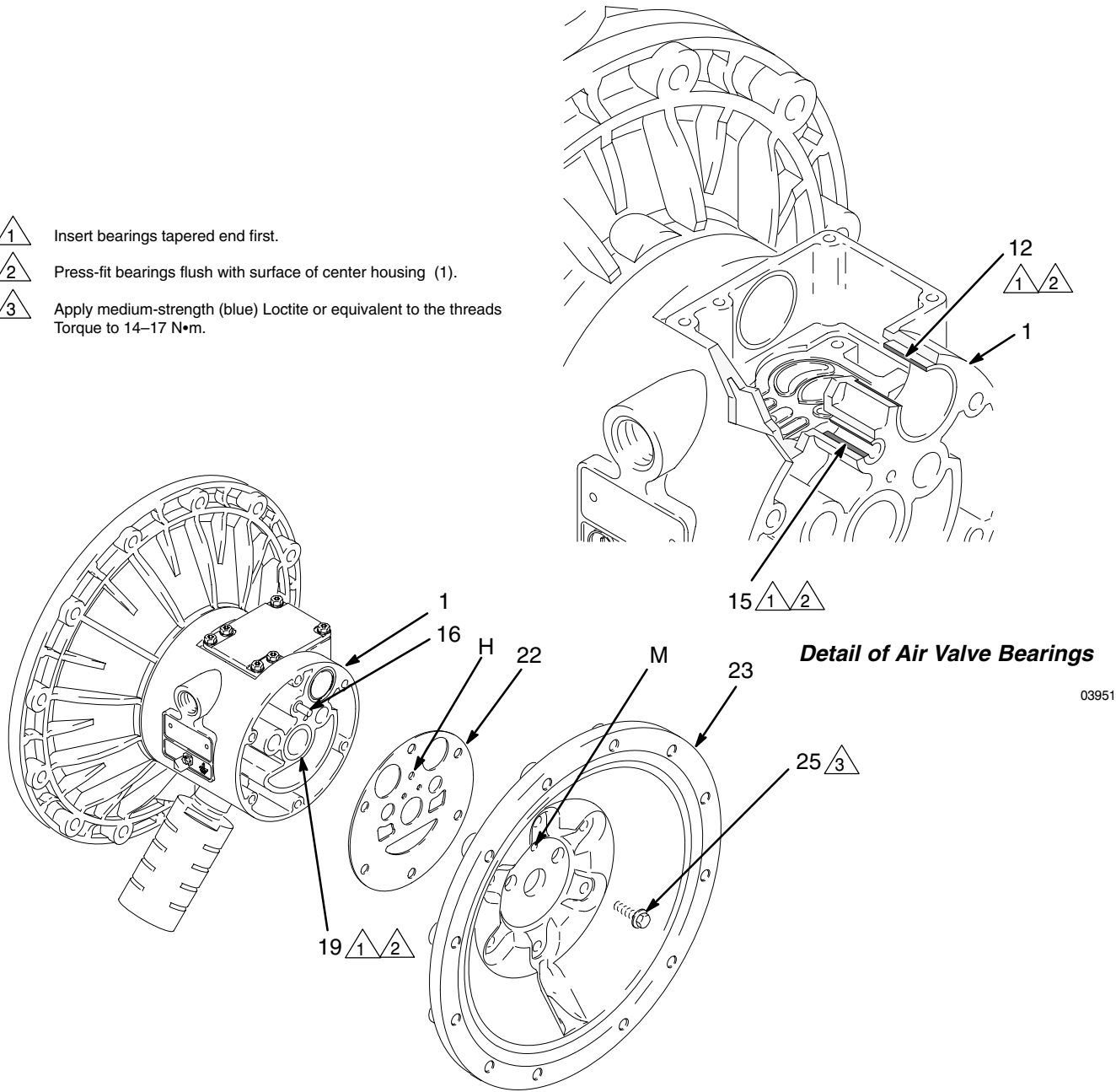
7. Use a bearing puller to remove the diaphragm shaft bearings (19), air valve bearings (12) or pilot pin bearings (15). Do not remove undamaged bearings.
8. If you removed the diaphragm shaft bearings (19), reach into the center housing (1) with an o-ring pick and hook the u-cup packings (402), then pull them out of the housing. Inspect the packings. See Fig. 12.

Reassembly

1. If removed, install the shaft u-cup packings (402*) so the lips face **out** of the housing (1).
2. The bearings (19, 12, and 15) are tapered and can only be installed one way. Insert the bearings into the center housing (1), **tapered end first**. Using a press or a block and rubber mallet, press-fit the bearing so it is flush with the surface of the center housing.
3. Reassemble the air valve as explained on page 15.
4. Align the new air cover gasket (22) so the pilot pin (16) protruding from the center housing (1) fits through the proper hole (H) in the gasket.
5. Align the air cover (23) so the pilot pin (16) fits in the middle hole (M) of the three small holes near the center of the cover. Install the screws (25), handtight. See Fig. 13. Using a 10 mm socket wrench, torque the screws oppositely and evenly to 14–17 N•m.
6. Install the diaphragm assemblies and fluid covers as explained on page 17.
7. Reassemble the ball check valves and manifolds as explained on page 16.

Service

- 1 Insert bearings tapered end first.
- 2 Press-fit bearings flush with surface of center housing (1).
- 3 Apply medium-strength (blue) Loctite or equivalent to the threads
Torque to 14–17 N•m.



Detail of Air Valve Bearings

03951

Fig. 13

03952B

Pump Listing

VERDERAIR VA 50 Aluminum, Stainless Steel, and Cast Iron Pumps, Series B

Your Model No. is marked on the pump's serial plate. The listing of existing *VERDERAIR VA 50* pumps is below:

Part No.	Air Section	Fluid Section	Seats	Balls	Diaphragms
815.2248	ALU	ALU	316	TEF	TEF
815.2256	ALU	ALU	316	440	TEF
815.2301	ALU	ALU	HYT	ACE	HYT
815.2309	ALU	ALU	HYT	HYT	HYT
815.2338	ALU	ALU	SAN	SAN	SAN
815.2368	ALU	ALU	POL	TEF	TEF
815.6991	ALU	ALU	GEO	GEO	GEO
815.2392	ALU	SST	316	TEF	TEF
815.2410	ALU	SST	316	SAN	SAN
815.2415	ALU	SST	316	VIT	VIT
815.2445	ALU	SST	HYT	ACE	HYT
815.2482	ALU	SST	SAN	SAN	SAN
815.2512	ALU	SST	POL	TEF	TEF
815.6992	ALU	SST	316	GEO	GEO
815.6357	ALU	CI	316	TEF	TEF
815.6360	ALU	CI	316	TEF	VIT
815.6365	ALU	CI	316	440	TEF
815.6375	ALU	CI	316	SAN	SAN
815.6395	ALU	CI	174	SAN	SAN
815.6402	ALU	CI	KYN	ACE	HYT
815.6410	ALU	CI	HYT	HYT	HYT
815.6435	ALU	CI	SAN	SAN	SAN
815.6437	ALU	CI	POL	TEF	TEF
815.6455	ALU	CI	POL	SAN	SAN
815.6457	ALU	CI	KYN	TEF	TEF

Pump Listing

Part No.	Air Section	Fluid Section	Seats	Balls	Diaphragms
815.2543	ALU	ALU, ext	316	TEF	TEF
815.2544	ALU	ALU, ext	316	440	TEF
815.2536	ALU	ALU, ext	HYT	ACE	HYT
815.2545	ALU	ALU, ext	HYT	HYT	HYT
815.2546	ALU	ALU, ext	SAN	SAN	SAN
815.2547	ALU	ALU, ext	POL	TEF	TEF
815.2537	ALU	ALU, ext	GEO	GEO	GEO
815.2538	ALU	ALU, ext	316	GEO	GEO
815.0108	ALU	ALU	316	BUN	BUN
815.0109	ALU	ALU	BUN	BUN	BUN
815.0110	ALU	ALU	VIT	VIT	VIT
815.0111	ALU	SST	316	BUN	BUN
815.0112	ALU	SST	BUN	BUN	BUN
815.0113	ALU	SST	VIT	VIT	VIT
815.0199*	ALU	ALU	316	TEF	TEF
815.0200*	ALU	ALU	GEO	GEO	GEO
815.0201*	ALU	ALU	SAN	SAN	SAN
815.0202*	ALU	SST	316	TEF	TEF
815.0118	SST	SST	316	TEF	TEF
815.0119	SST	SST	VIT	VIT	VIT
815.0080	ALU	ALU	316	TEF	OTF

ACE = Acetal HYT = TPE POL = Polypropylene 316 = 316 sst TEF = PTFE KYN = PVDF 174 = 17-4 PH sst
 SST = 316 Stainless Steel 440 = 440C sst CI = Cast Iron VIT = Fluoroelastomer SAN = Santoprene GEO = Geolast
 OTF = Overmolded PTFE

* These pumps have 2 in. npt inlet and outlet fluid ports.

819.7139, Stainless Steel Air Motor Conversion Kit

Use kit 819.7139 and refer to instruction manual 819.7140 (included with kit) to convert from aluminum air motor to stainless steel air motor.

Repair Kit Listing

For *VERDERAIR* VA 50 Aluminum, Stainless Steel, and Cast Iron Pumps, Series B

Repair Kits may only be ordered as kits. To repair the air valve, order **Part No. 819.4274** for aluminum center housing models or **Part No. 819.0249** for stainless steel center housing models (see page 26). Parts included in the Air Valve Repair Kit are marked with a symbol in the parts list, for example (3†). The list of existing Repair Kits is below:

Part No.	O-Rings	Seats	Balls	Diaphragms
829.2536	TEF	316	TEF	TEF
829.2539	TEF	316	TEF	VIT
829.2544	TEF	316	440	TEF
829.2554	TEF	316	SAN	SAN
829.2559	TEF	316	VIT	VIT
829.2589	TEF	HYT	ACE	HYT
829.2597	TEF	HYT	HYT	HYT
829.2626	TEF	SAN	SAN	SAN
829.2656	TEF	POL	TEF	TEF
829.2674	TEF	POL	SAN	SAN
829.6280	TEF	NUL	NUL	TEF
829.6281	TEF	NUL	NUL	SAN
829.6282	TEF	NUL	NUL	VIT
829.6289	TEF	NUL	SAN	SAN
829.6299	TEF	316	TEF	NUL
829.6300	TEF	VIT	TEF	TEF
829.6301	TEF	316	VIT	NUL
829.6307	TEF	SAN	SAN	NUL
829.6532	TEF	KYN	TEF	TEF
829.6537	TEF	KYN	ACE	HYT
829.6874	TEF	HYT	ACE	NUL
829.6876	TEF	NUL	NUL	HYT
829.6877	TEF	HYT	HYT	NUL
829.3805	TEF	GEO	GEO	GEO
829.3804	TEF	316	GEO	GEO

ACE = Acetal HYT = TPE 316 = 316 sst TEF = PTFE KYN = PVDF VIT = Fluoroelastomer SAN = Santoprene
 NUL = Null 174 = 17-4 PH sst 440 = 440C sst POL = Polypropylene GEO = Geolast

Extension Conversion Kit

To convert an existing VA 50 Aluminum pump to a extended version, use conversion kit 819.0229.

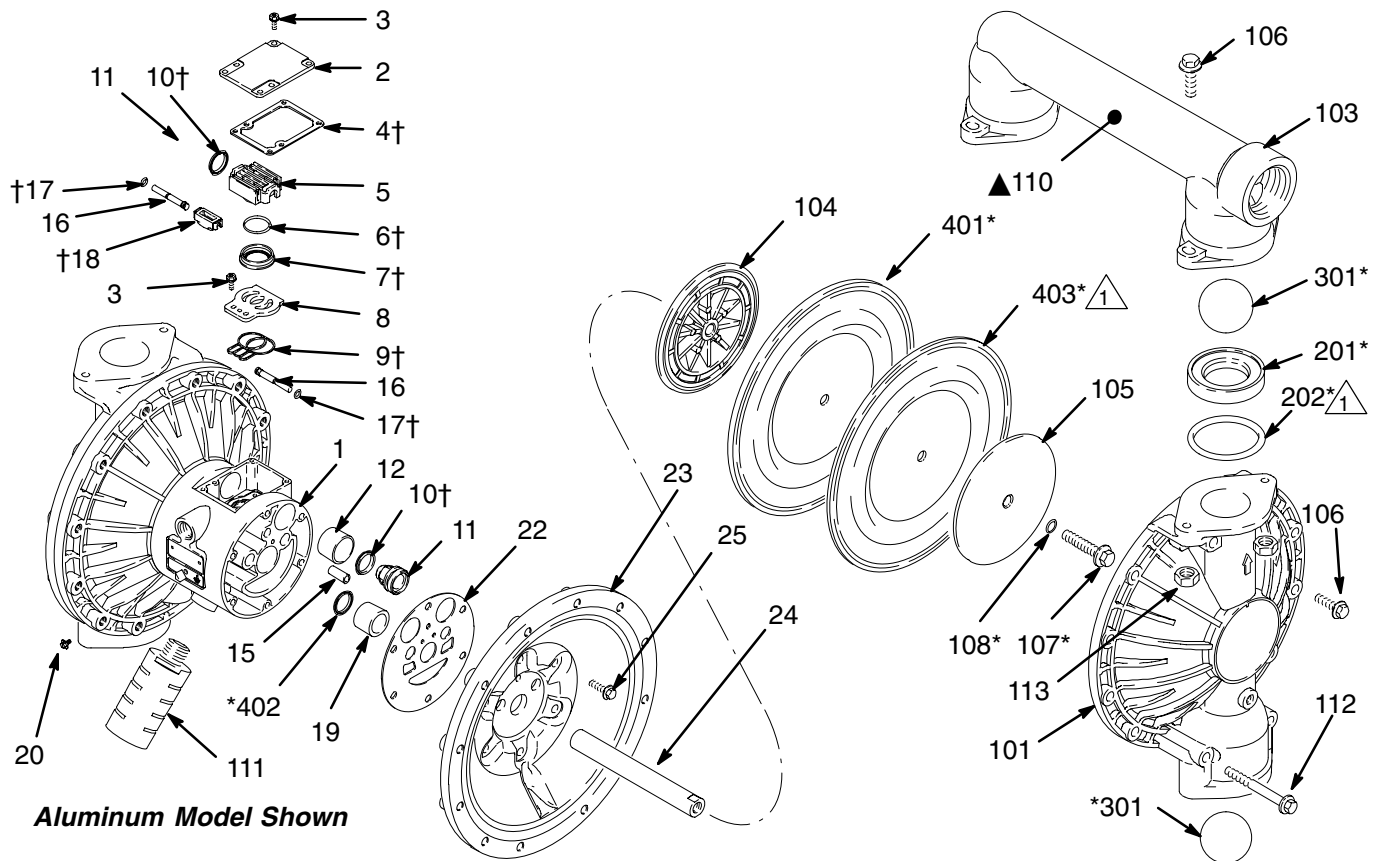
Overmolded PTFE Diaphragm Kits

819.0397 – VA 50 HD Overmolded PTFE repair kit

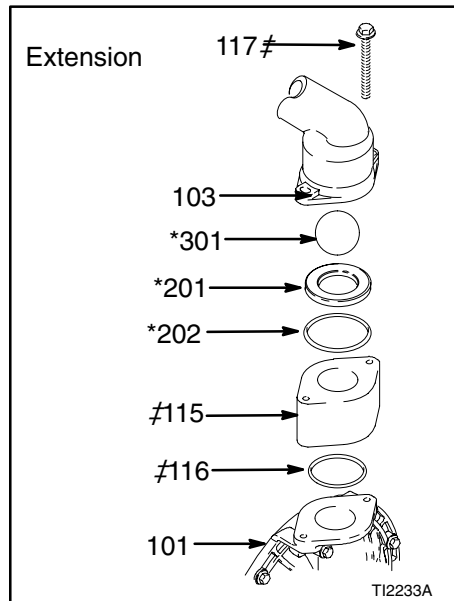
819.0398 – VA 50 HD Overmolded PTFE repair kit with new air-side diaphragm plates

NOTE: Heavy-duty overmolded diaphragms require new air-side diaphragm plates. If a bolt-through diaphragm was in use, you must purchase 819.0398, the kit that includes the new plates.

Parts



Aluminum Model Shown



Extension

117#

△1 Not used on some models

△2 Used on stainless steel model only

* These parts are included in the Pump Repair Kit, which may only be purchased as a kit. Refer to the Repair Kit Listing on page 24 to determine the correct kit for your pump.

† These parts are included in Air Valve Repair Kit 819.4274, which may only be purchased as a kit.

▲ Replacement Danger and Warning labels, tags and cards are available at no cost.

≠ These parts are used on extension version only. Ref. No. 106 will be qty. 20 on extension version.

T10354C

T12233A

Parts

Air Motor Parts List

Ref. No.	Part No.	Description	Qty
1	819.4275	HOUSING, center; aluminum	1
	819.7102	HOUSING, center; stainless steel	1
2	819.4276	COVER, air valve; aluminum	1
	819.7103	COVER, air valve; stainless steel	1
3	819.0221	SCREW, mach, hex flange hd; M5 x 0.8; 12 mm	9
4†	819.4278	GASKET, cover; Santoprene®	1
5	819.4279	CARRIAGE; aluminum	1
6†	819.4280	O-RING; nitrile	1
7†	819.4281	BLOCK, air valve; acetal	1
8	819.4282	PLATE, air valve; sst	1
9†	819.4283	SEAL, valve plate; buna-N	1
10†	819.4284	PACKING, u-cup; nitrile	2
11	819.4285	PISTON, actuator; acetal	2
12	819.4286	BEARING, piston; acetal	2
15	819.4287	BEARING, pin; acetal	2
16	819.4288	PIN, pilot; stainless steel	2
17†	819.4289	O-RING; buna-N	2
18†	819.4290	BLOCK, pilot; acetal	1
19	819.4291	BEARING, shaft; acetal	2
20	819.0220	SCREW, grounding	1
22	819.4294	GASKET, air cover; foam	2
23	819.4295	COVER, air; aluminum	2
	819.7110	COVER, air; stainless steel	2
24	829.4296	SHAFT, diaphragm; sst	1
25	819.7051	SCREW; M8 x 1.25; 25 mm	12

Fluid Section Parts List

Fluid Section material	Ref. No.	Part No.	Description	Qty
ALUMINIUM	101	819.0223	COVER, fluid; aluminum	2
	102	819.6979	MANIFOLD, inlet; aluminum	1
	103	819.0225	MANIFOLD, outlet; aluminum	1
	104	819.4301	PLATE, air side; aluminum	2
	105	819.4302	PLATE, fluid side; zinc plated carbon steel	2
	106	819.7052	SCREW; M10 x 1.50; 35 mm	24 or 20 \neq
	107	819.4312	BOLT; M12 x 1.75; 55 mm; 316 stainless steel	2
	108*	819.4304	O-RING; PTFE	2
	110▲	819.6310	LABEL, warning	1
	111	819.7000	MUFFLER	1
	112	819.7053	SCREW; M10 x 1.50; 90 mm	8
	115 \neq	819.9754	EXTENSION, 2150	2
	116 \neq	819.0238	PACKING, o-ring	2
	117 \neq	819.4307	SCREW, mach, hex	4

Fluid Section Parts List continued

Fluid Section material	Ref. No.	Part No.	Description	Qty
S T A I N L E S S S T E E L	101	819.7015	COVER, fluid; 316 stainless steel	2
	102	819.7012	MANIFOLD, inlet; 316 stainless steel	1
	103	819.7013	MANIFOLD, outlet; 316 stainless steel	1
	104	819.4301	PLATE, air side; aluminum	2
	105	819.4311	PLATE, fluid side; 316 stainless steel	2
	106	819.4343	SCREW; M10 x 1.38; 35 mm	24
	107*	829.4312	BOLT; M12 x 1.75; 55 mm; 316 stainless steel	2
	108*	819.4304	O-RING; PTFE	2
	110 ▲	819.4313	LABEL, warning	1
	111	819.7000	MUFFLER	1
	112	819.4314	SCREW; M10 x 1.50; 110 mm; stainless steel	8
	113	819.7014	NUT; M10	8

Fluid Section material	Ref. No.	Part No.	Description	Qty
C A S T I R O N	101	819.6482	COVER, fluid; cast iron	2
	102	819.7100	MANIFOLD, inlet; cast iron	1
	103	819.7101	MANIFOLD, outlet; cast iron	1
	104	819.4301	PLATE, air side; aluminum	2
	105	819.4302	PLATE, fluid side; carbon steel	2
	106	819.4343	SCREW; M10 x 1.38; 35 mm	24
	107*	829.4312	BOLT; M12 x 1.75; 55 mm; 316 stainless steel	2
	108*	819.4304	O-RING; PTFE	2
	110 ▲	819.4313	LABEL, warning	1
	111	819.7000	MUFFLER	1
	112	819.4314	SCREW; M10 x 1.50; 110 mm; stainless steel	8

Parts

Seat Parts List

Seat material	Ref. No.	Part No.	Description	Qty
316 SST	201*	819.4315	SEAT; 316 stainless steel	2
	201§	829.4315	Blind seat SS 316	2
	202*	819.4316	O-RING; PTFE	4
17-4 PH SST	201*	819.4317	SEAT; 17-4 stainless steel	2
	202*	819.4316	O-RING; PTFE	4
HYTREL	201*	819.4318	SEAT; Hytrel	2
	202	None	Not Used	0
SANTOPRENE	201*	819.4319	SEAT; Santoprene	2
	202*	819.4316	O-RING; PTFE	4
BUNA-N	201*	819.7117	SEAT; Buna-N	2
	202*	NONE	NOT USED	0
VITON	201*	819.7115	SEAT; Viton	2
	202	None	Not Used	0
POLYPROPYLENE	201*	819.4321	SEAT; polypropylene	2
	202*	819.4316	O-RING; PTFE	4
GEOLAST	201*	819.7063	SEAT; Geolast	2
	202*	819.4316	O-RING; PTFE	4

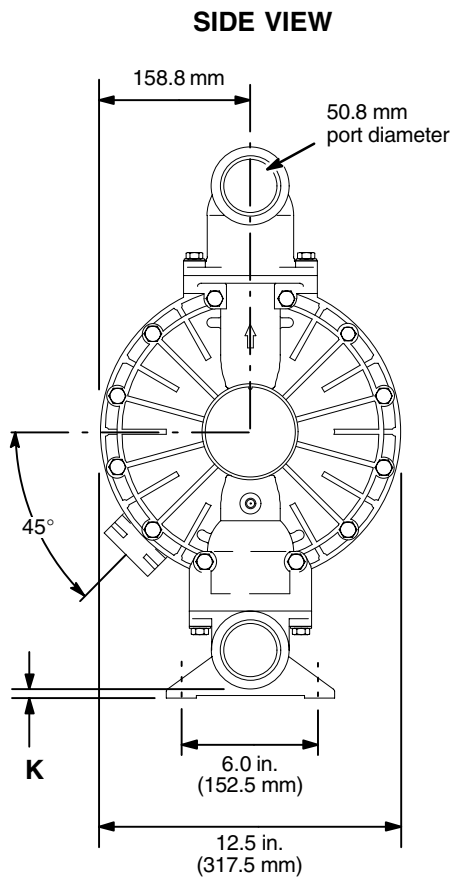
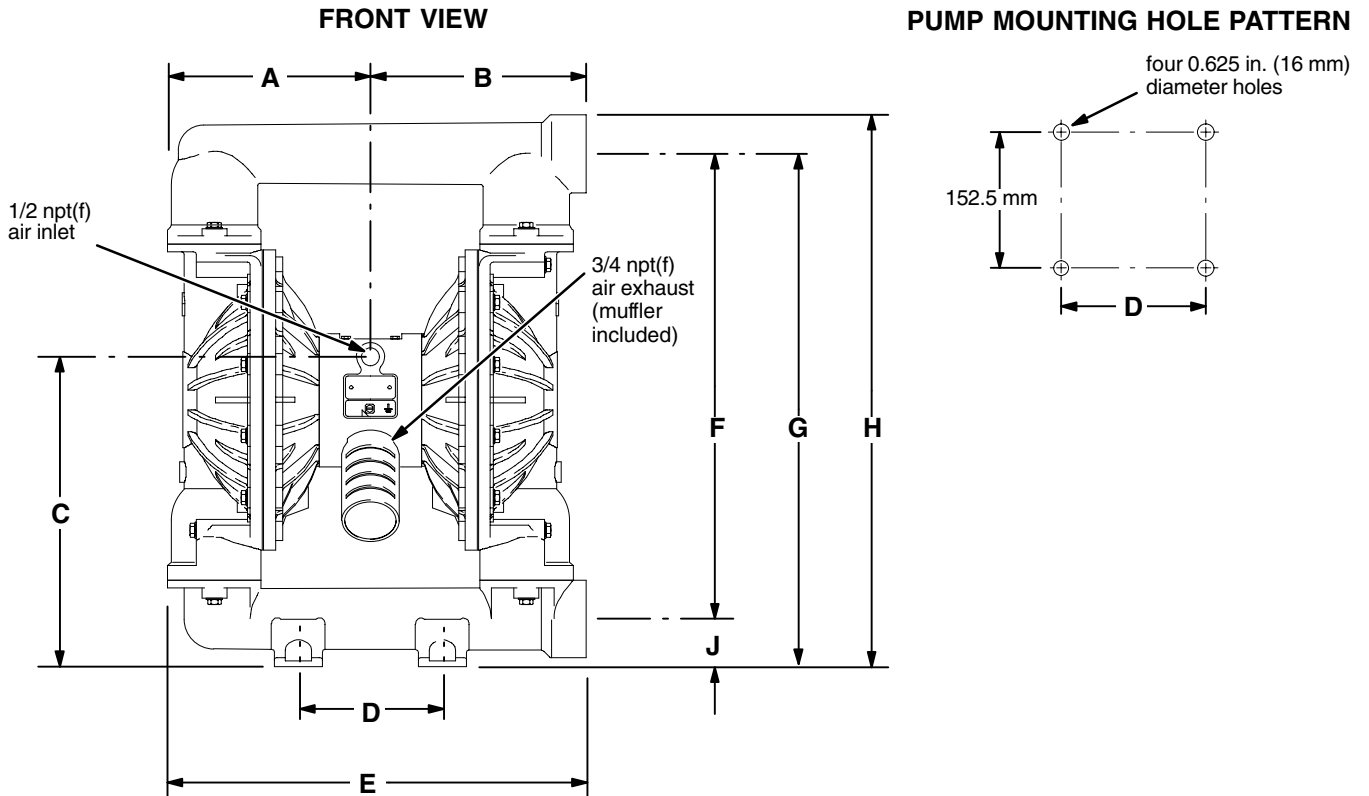
Ball Parts List

Ref. No.	Part No.	Description	Qty
301*	819.4322	BALL; PTFE	2
301*	819.4323	BALL; acetal	2
301*	819.4324	BALL; 440C stainless steel	2
301*	819.4325	BALL; Hytrel	2
301*	819.4326	BALL; Santoprene	2
301*	819.7129	BALL; Buna-N	2
301*	819.7128	BALL; Viton	2
301*	819.7062	BALL; Geolast	2

Diaphragm Parts List

Diaph. material	Ref. No.	Part No.	Description	Qty
PTFE	401*	819.4328	DIAPHRAGM, backup; Santoprene	2
	402*	819.4284	PACKING, u-cup; nitrile	2
	403*	819.4329	DIAPHRAGM; PTFE	2
HYTREL	401*	819.4330	DIAPHRAGM; Hytrel	2
	402*	819.4284	PACKING, u-cup; nitrile	2
SANTOPRENE	401*	819.4328	DIAPHRAGM; Santoprene	2
	402*	819.4284	PACKING, u-cup; nitrile	2
BUNA-N	401*	819.7120	DIAPHRAGM; Buna-N	2
	402*	819.4284	PACKING, u-cup; Buna-N	2
VITON	401*	819.7133	DIAPHRAGM; Viton	2
	402*	819.4284	PACKING, u-cup; nitrile	2
GEOLAST	401*	819.7064	DIAPHRAGM; Geolast	2
	402*	819.4284	PACKING; u-cup; nitrile	2

Dimensions



Dimension	Aluminum Pumps	Aluminum Extension Pump*	Ductile Iron Pumps	Stainless Steel Pumps
A	213.1 mm	213.1 mm	213.1 mm	222.7 mm
B	230.1 mm	230.1 mm	230.1 mm	239.0 mm
C	312.4 mm	328.2 mm	312.4 mm	393.7 mm
D	152.4 mm	152.4 mm	152.4 mm	165.1 mm
E	443.2 mm	443.2 mm	443.2 mm	458.9 mm
F	505.5 mm	579.1 mm	492.0 mm	565.7 mm
G	556.3 mm	631.9 mm	542.8 mm	625.8 mm
H	597.7 mm	673.3 mm	584.2 mm	668.0 mm
J	50.8 mm	50.8 mm	50.8 mm	60.2 mm
K	9.7 mm	9.7 mm	9.7 mm	24.1 mm

* Aluminum extended pump matches the inlet to outlet dimensions of Wilden and Aro aluminum pumps. This will help for ease of installation during upgrades.

7440A

Technical Data

Maximum Fluid Working Pressure	16 bar
Air Pressure Operating Range	1.4–8.4 bar
Maximum Air Consumption	4.9 N m ³ /min
Air Consumption at 4,9 bar/ 227 l/min	1.68 N m ³ /min (see chart)
Maximum Free Flow Delivery	284/min
Maximum Pump Speed	145 cpm
Liters per cycle	1.90
Maximum Suction Lift	5.48 m wet or dry
Maximum Size Pumpable Solids	6.3 mm
* Sound Pressure Level at 7 bar, 50 cpm	90 dBa
* Sound Power Level at 7 bar, 50 cpm	103 dBa
* Sound Pressure Level at 4,9 bar, 50 cpm	85 dBa
Maximum Operating Temperature	65.5°C; 93.3°C for models with PTFE diaphragms
Air Inlet Size	1/2 npt(f)
Fluid Inlet Size	2 in. bspt
Fluid Outlet Size	2 in. bspt

Wetted Parts	Vary by Model. See pages 22–26
Non-wetted External Parts	Aluminum, 302, 316 Stainless Steel, Polyester (labels)
Weight	Aluminum Pumps: 26.3 kg Stainless Steel Pumps with aluminum air motors: 50.3 kg Stainless steel pumps with stainless steel air motors: 61.0kg Cast Iron Pumps: 59.0 kg

Viton®, and Hytrel® are registered trademarks of the DuPont Co.

Loctite® is a registered trademark of the Loctite Corporation.

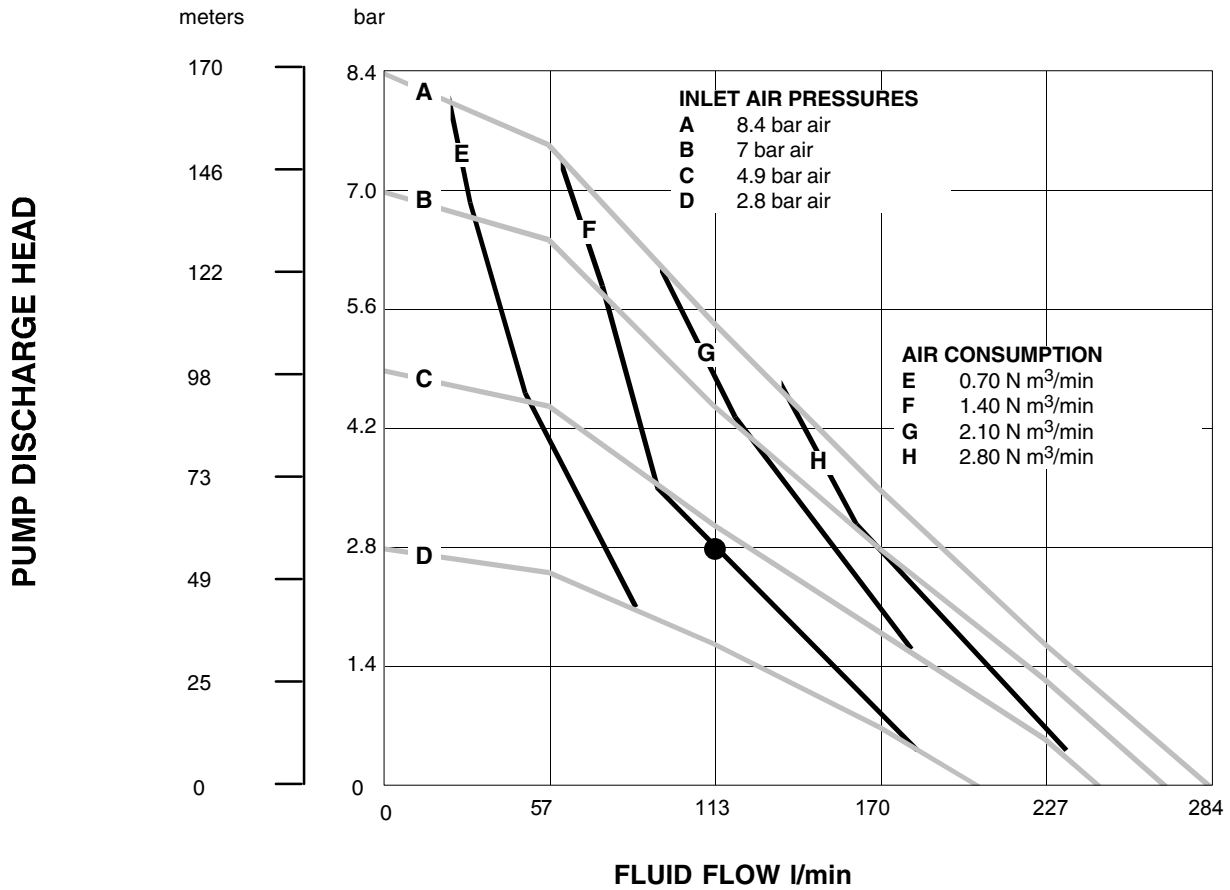
Santoprene® is a registered trademark of the Monsanto Co.

* Sound pressure levels measured with the pump mounted on the floor, using Rubber Foot Kit 236–452. Sound power measured per ISO Standard 9614–2.

Performance Chart

Example of Finding Pump Air Consumption and Air Pressure at a Specific Fluid Delivery and Discharge Head:

To supply 113 liters fluid flow (horizontal scale) at 5.5 bar discharge head pressure (vertical scale) requires approximately 1.68 N m³/min air consumption at 4.9 bar inlet air pressure.



TEST CONDITIONS

Pump tested in water with PTFE diaphragm and inlet submerged.

KEY ———— FLUID PRESSURE AND FLOW
 ———— N m³/min AIR CONSUMPTION

Customer Services/Guarantee

CUSTOMER SERVICES

If you require spare parts, please contact your local distributor, providing the following details:

- Pump Model
- Type
- Serial Number, and
- Date of First Order.

GUARANTEE

All VERDER pumps are warranted to the original user against defects in workmanship or materials under normal use (rental use excluded) for two years after purchase date. This warranty does not cover failure of parts or components due to normal wear, damage or failure which in the judgement of VERDER arises from misuse.

Parts determined by VERDER to be defective in material or workmanship will be repaired or replaced.

LIMITATION OF LIABILITY

To the extent allowable under applicable law, VERDER's liability for consequential damages is expressly disclaimed. VERDER's liability in all events is limited and shall not exceed the purchase price.

WARRANTY DISCLAIMER

VERDER has made an effort to illustrate and describe the products in the enclosed brochure accurately; however, such illustrations and descriptions are for the sole purpose of identification and do not express or imply a warranty that the products are merchantable, or fit for a particular purpose, or that the products will necessarily conform to the illustration or descriptions.

PRODUCT SUITABILITY

Many regions, states and localities have codes and regulations governing the sale, construction, installation and/or use of products for certain purposes, which may vary from those in neighbouring areas. While VERDER attempts to assure that its products comply with such codes, it cannot guarantee compliance, and cannot be responsible for how the product is installed or used. Before purchasing and using a product, please review the product application as well as the national and local codes and regulations, and be sure that product, installation, and use complies with them.



EC-DECLARATION OF CONFORMITY

EU-OVERENSSTEMMELSESERKLÆRING, EYILMOITUS YHTÄPITÄVYYDESTÄ, CE-DECLARATION DE CONFORMITE, EG-ÜBEREN STIMMUNG SERKLÄRUNG, DICHIARAZIONE DI CONFOMITÀ-CE, EG-VERKLARING VAN O VEREENSTEMMING, EC-DECLARACÃO DE CONFOMIDADE, EC-DECLARACIÓN DE CONFORMIDAD, EG-DECLARATION OM ÖVERENSSTÄMMELSE, ΔΗΛΩΣΗ ΣΥΜΜΟΡΦΩΣΗΣ-ΕΚ

Model

Model, Malli, Modèle, Modell, Modello, Model, Modelo, Modelo, Model, Μοντέλο

VERDERAIR VA 50

Part No.

Part No., Osanro, Référence, Teile-Nr., Parte Codice, Part Nr., Peça No., Referencia, Part No., Ap. Αντάλλακτικού

815.0105 to 815.0120	815.6357 to 815.6531
815.2248 to 815.2535	815.6989 to 815.6994
815.3937 to 815.4272	815.7036 to 815.7037

This Product Complies With The Following European Community Directives:

Dette produkt opfylder kravene i de følgende direktiver af det Europæiske Fællesskab, Tämä tuote on yhtäpitävä ministerineuvoston allamainitut direktiivien vaatimusten kanssa, Ce produit se conforme aux directives de la Communauté Européenne suivantes, Dieses Produkt entspricht den nachstehend aufgeführten Richtlinien der Europäischen Union, Questo prodotto si conforma ai seguenti direttivi della Comunità europea, Dit produkt voldoet aan de volgende richtlijnen van de Europese Gemeenschap, Este Produto Cumpre As Seguintes Directivas das Comunidades Europeias, Este producto cumple con las directivas siguientes de la Comunidad Económica Europea, Denna Product Överensstämmer Med Kraven Ministerrådets Direktiv Enligt Följande, Το Προϊόν Αυτό ΈΡει Κατασκευαστεί Σύμφωνα Με Τις Παρακάτω Κοινοτικές Οδηγες:

98/37/EC Machinery Directive

94/9/EC ATEX Directive (Ex II 2 G EEx c IIA T6)

The Following Standards Were Used To Verify Compliance With The Directives:

De følgende standarder blev anvendt som bekræftelse på at direktivernes bestemmelser overholdes, Allaolevaat standardia on käytetty vahvistamaan yhtäpitävyyttä direktiivien kanssa, Les normes suivantes ont été appliquées pour vérifier que ce produit se conforme aux directives, Die folgenden Normen garantieren die Übereinstimmung mit diesen Richtlinien, Sono state usate le seguenti norme per verificare la conformità ai direttivi, De overeenstemming met de richtlijnen werd gecontroleerd aan de hand van de volgende normen, Para Verificar A Conformidade Com As Directivas Utilizaram-se As Seguintes Normas, Las normas siguientes han sido utilizadas para verificar que el producto cumple con las directivas correspondientes, Följande standard Har Använts För Att Bestyrka Överensstämmelse Med Direktiven, Ως Κριτήρια Τήρησης Των Οδηγιών χρησιμοποιήθηκαν Τα Παρακάτω Πρότυπα:

EN 292 EN 1127-1 EN 13463-1

ISO 9614-1

EC Notified Body:

EU Bemyndigede Organer, Tiedon Antava Vranomainen, Organisme Agréé, EG Anerkanntes Organ, Ente-CE notificato, EG Aangemelde Instantie, Organismo Reconhecido pela CE, Organismo Certificado por la CE, Underrättad EG Myndighet, Ενήμερο Κοινοτικό Όργανο

0359

Approved By:

Attesteret Ved, Todistaa, Approuvée Par, Genehmigt Durch, Approvato da, Goedgekeurd Door, Para Aprovação, Aprobado por, Ihtygas Av, Εγκρίθηκε Από

Date

Dato, Päri väys, Date, Datum, Data, Datum, Data, Jecha, Datum, Ημερομηνία

19May2004

Frank Meersman

DIRECTOR (Print)

Date

Dato, Päri väys, Date, Datum, Data, Datum, Data, Jecha, Datum, Ημερομηνία

19May2004

Verder Ltd.
Whitehouse street
Leeds LS10 1AD
Great Britain

Part No. : 829.5962

Austria

VERDER Ges. mbH Austria
Perfektasstrasse 86
A-1232 Wien
Tel. 0222-8651074-0
Fax 0222-8651076

Belgium

VERDER Belgium N.V.
Industrieterrein Den Hoek
Bijkhoevelaan 3
B-2110 Wijnegem
Tel. 03-3263336
Fax 03-3263650

Czech Republic

VERDER Praha s.r.o.
Pod pekàrnami 15
CZ-19000 Praha 9
Tel. 02-6603 21 17
Fax 02-6603 21 15

U.S.A

VERDER Inc
PO Box 364
Pocopson, PA
Tel. 610 793 4250
Fax 610 793 4333

Germany

VERDER Deutschland GmbH
Rheinische StraÙe 43
PO Box 1739
D-42781 Haan
Tel. 02129-9342-0
Fax 02129-9342-60

France

POMPES VERDER s.a.r.l.
Rue de Bouvreill
F-95610 Eragny sur Oise
Tel. 01 34 64 31 11
Fax 01 34 64 44 50

The Netherlands

VERDER VLEUTEN B.V.
Utrechtseweg 4a
PO box 1
NL-3450 AA Vleuten
Tel. 030-6779230
Fax 030-6773945

Poland

VERDER Polska Sp. z o.o
ul. Kamienskiego 201-219
PL-51-124 Wroclaw, Polska
Tel. 0 71726158 w.e.w. 59
Fax 0 71726474

Romania

VERDER Romania s.r.l.
Soseaua Viilor no.79
RO-Sector 5, Bucuresti
Tel. 01-335 45 92
Fax 01-337 33 92

United Kingdom

VERDER LTD.
Whitehouse Street
Leeds GB-LS10 1AD
Tel. 0113-244 61 11
Fax 0113-246 56 49