

Verderair VA-P10



VA-P10

VERDERAIR

Technical data VA-P10			
Nominal port size	Code No.6	TN	3/8" NPT[f]
Air inlet			R 1/8"
Weight [kg]		VA-P10EE	3,6
		VA-P10GG	3,4
		VA-P10TT	5,1
		VA-P10UU	4,8
Max. operation pressure [Bar]			7
Max. operating temperature [°C]		VA-P10EE or VA-P10GG	70
		VA-P10TT or VA-P10UU	100
Max. size pumpable solids [mm]	Code No.3	EP or TF or SS	3
		CV	/
Max. Suction lift dry [mWc]	Code No.3	EP or TF or SS	1
		CV	2
Max. Suction lift wet [mWc]	Code No.3	EP or TF or SS	9
		CV	9

CODE VA-P10 No.1 No.2 No.3 No.4 No.5 No.6

No.1 Housing & Center Section/ No.2 Valve seat

- EE EE = Polyethylene (PE UHMW)
- ⚠ GG GG = Conductive Polyethylene (PE UHMW)
- TT TT = PTFE
- ⚠ UU UU = Conductive PTFE

No.3 Valve balls

- EP = EPDM
- TF = PTFE
- SS = SS 316
- CV = Cylinder Valve

No.4 Diaphragms

- EO = EPDM Overmolded
- TO = PTFE Overmolded

No.5 Fluid connections

- TN = NPT Threaded female

No.6 Options

- OO = Standard, no option
- RE = Remote
- PD = Ready for Pulsation Dampener
- VS = Vertical Suction
- BS = Barrier system with Sensors only
- LS = Leak detection, Sensor only

⚠ II 2GD c II B Tx

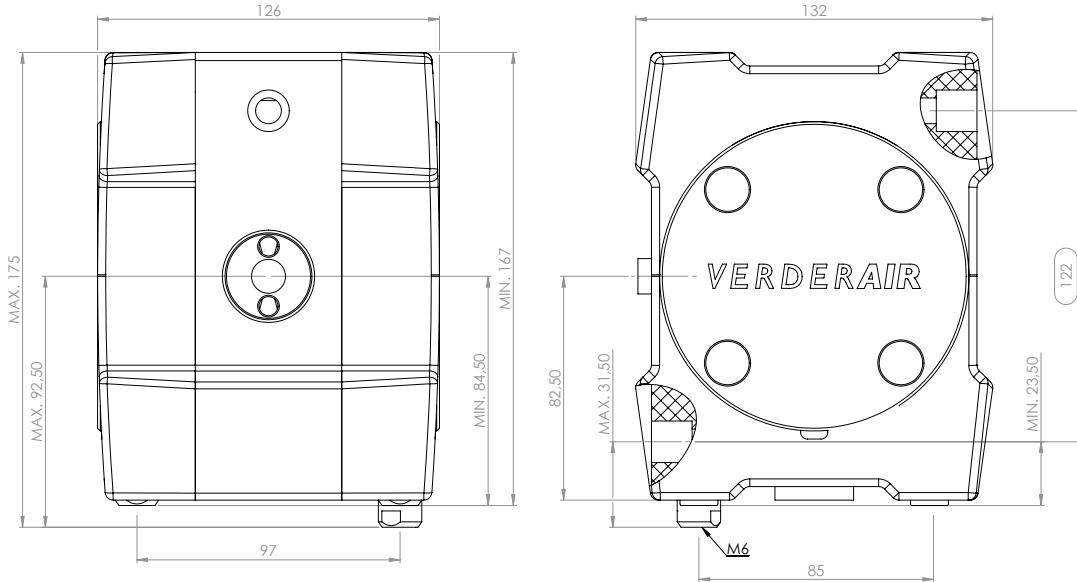
EXAMPLE PUMP TYPE

EXAMPLE : VA-P10EE EE TF TO TN OO



Verderair VA-P10

VA-P10



Dimensions in millimeters

