

Description

Air Operated Double Diaphragm Pumps are having a pulsating flow. This will lead to vibrations and pipe-line losses due to the pressure changes in the discharge pipeline. In processes where pulsation in the fluid stream needs to be minimized, the Verderair PD-S dampeners can be used.



Your benefits

- Less vibration in the installation
- Smoother flow
- Better accuracy of instrumentation in the discharge line
- Less maintenance cost of the pipework

Technical data		Internals		
Weight [kg]	Fluid & air section	GG	4,3	
		EA	4,7	
		AG	5,9	
		AA	6,3	
		SG	11,7	
		SA	12,1	
Temperature [°C]	Fluid & air section	GG - EA	EO - TO	70
		AG - SG	EO - TO	80
		AA - SA	EO - TO	120
Air connection		R 1/4		
Liquid connections		1"		

Code PD-S25 No.1 No.2 No.3 No.4.		
<p>No.1 Fluid section</p> <ul style="list-style-type: none"> ⚠ A = Aluminium ⚠ S = Stainless Steel ⚠ G = Conductive PE E = UHMW PE 	<p>No.2 Air section</p> <ul style="list-style-type: none"> A = Polyamide ⚠ G = Conductive PE 	<p>No.3 Diaphragms</p> <ul style="list-style-type: none"> EO = EPDM overmolded TO = PTFE overmolded <p>No. 4 Connections</p> <ul style="list-style-type: none"> TB = Threaded BSP(f) TN = Threaded NPT(f)

EXAMPLE DAMPENER TYPE
PD-S25 AA TO TB

NOTE not all combinations are available

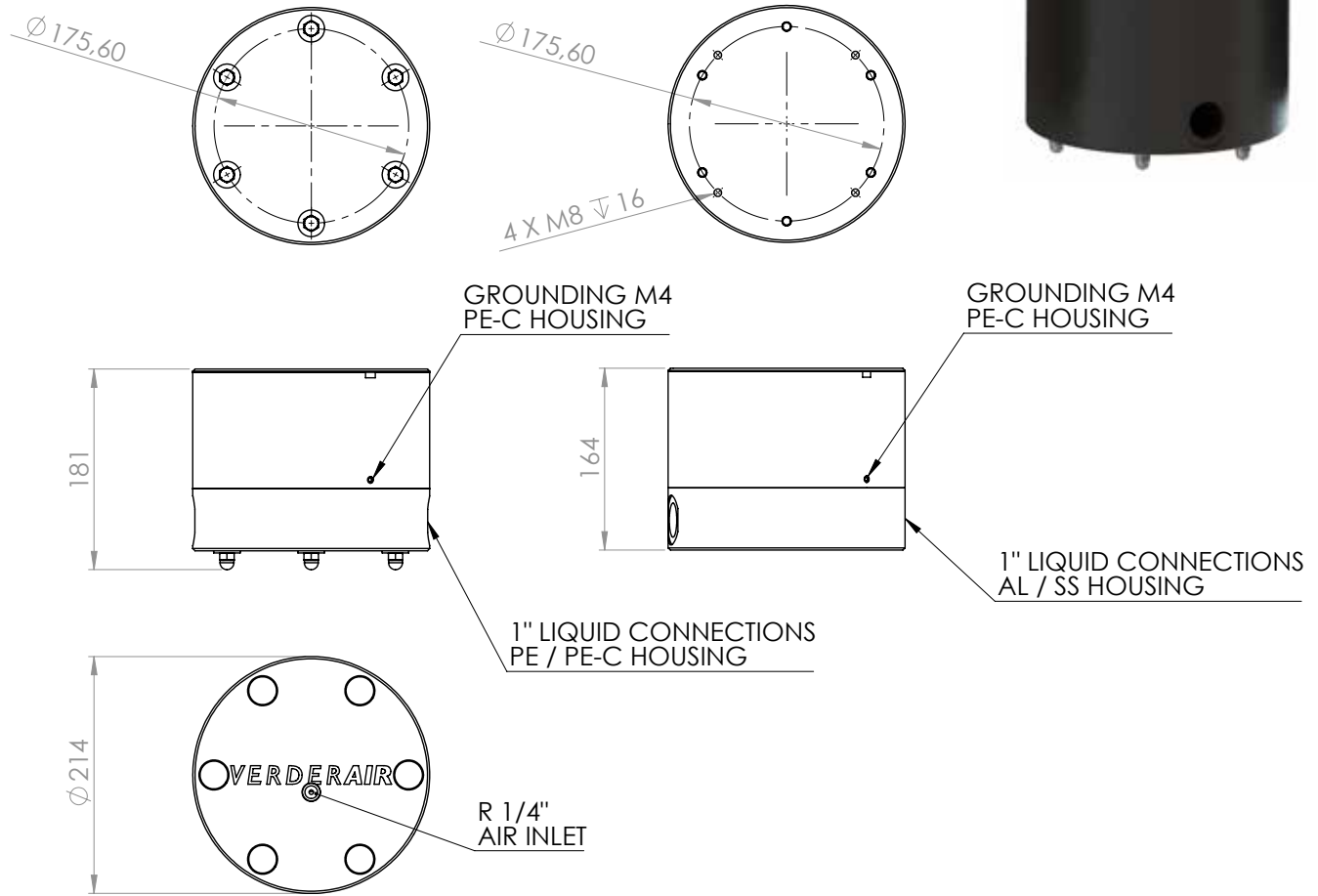
⚠ II 2 GD c II BTx



Verderair

PD-S25

VERDERAIR®



Dimensions in mm

Find your local supplier
at www.verderair.com

For construction, installation and floor mounting drawings
please contact your local authorised Verderair® distributor.

VERDER
passion for pumps

